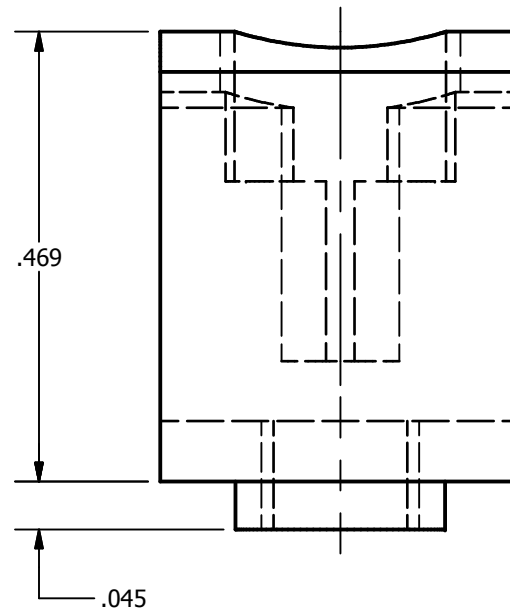
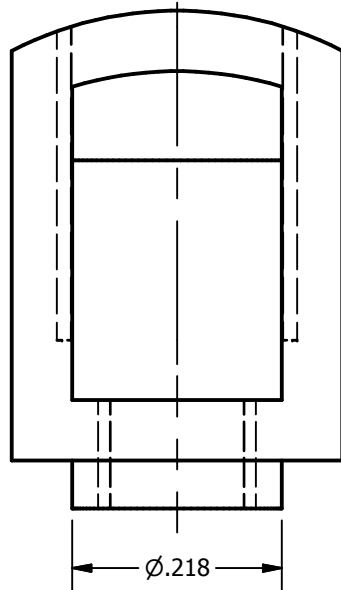
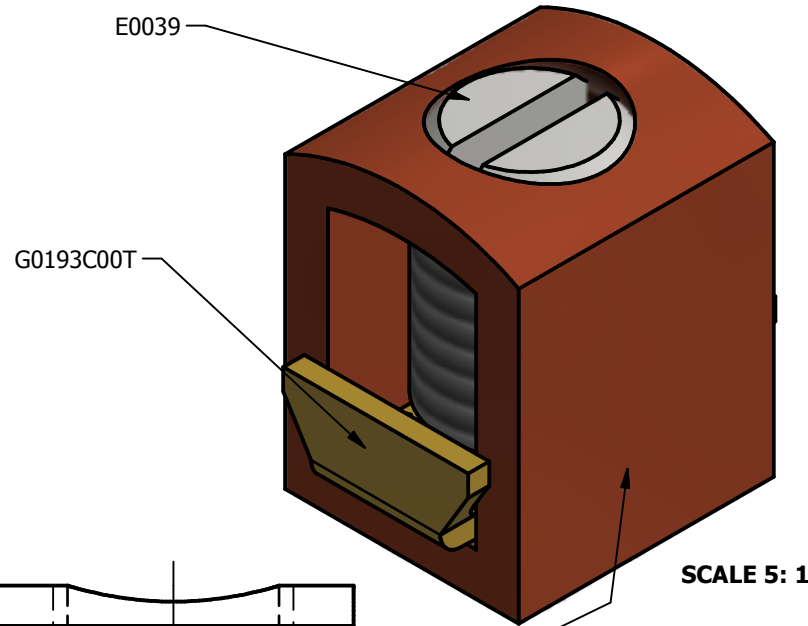
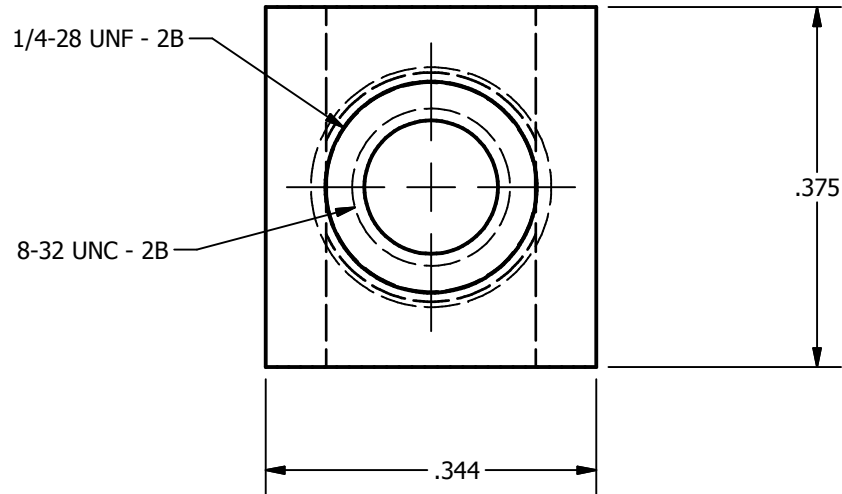




SCREW: E0039	MATERIAL: COPPER	REV: W	ILSCO connections matter 800-776-9775 www.ilsco.com	
CAT. NO.: C03RP	PLATING: NONE	DRAWN BY: CLH	SCALE: 5:1	DWG. NO. D0020
INFORMATION SHEET: FORM 1	MARKING: SEE DWG	DATE: 5/15/2008	SIZE: A	



MARK THIS SIDE: ILSCO, D20, 
OTHER SIDE: , 14-6, C03RP