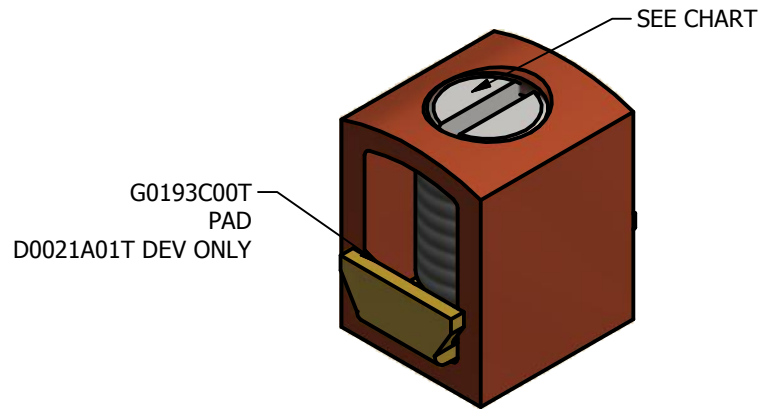
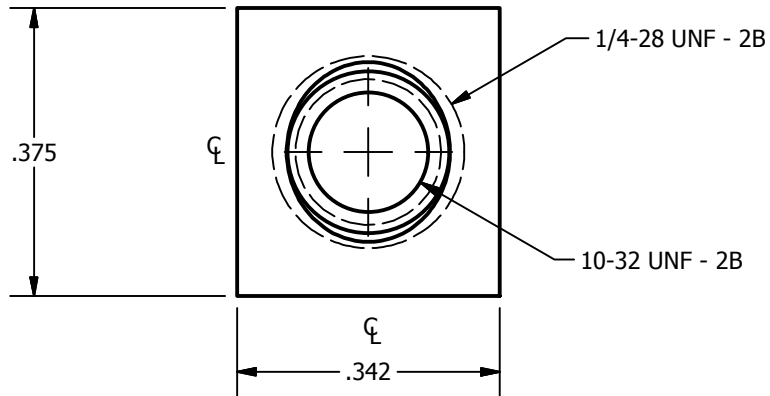
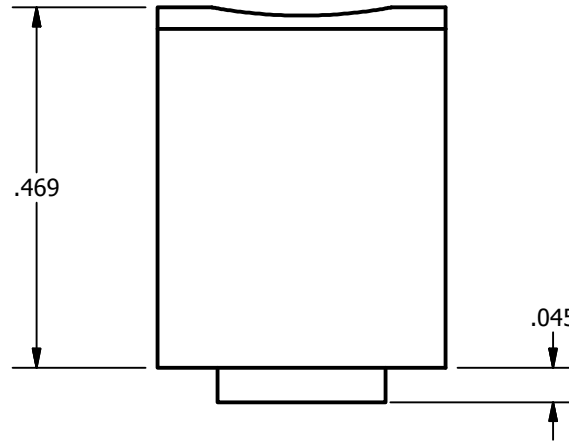
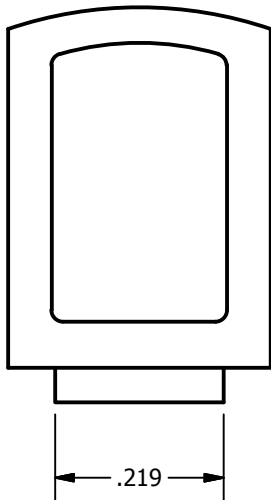


SCREW: SEE CHART	MATERIAL: COPPER	REV: M	ILSCO connections— matter	
CAT. NO.: C03SP	PLATING: SEE CHART	DRAWN BY: JG	SCALE: 4=1	800-776-9775 www.ilsco.com
INFORMATION SHEET: SEE CHART	MARKING: ILSCO, D21, C03SP, 14-6	DATE: 7/18/2008	SIZE: A	DWG. NO. D0021
				SHEET: 1 OF 1



SCALE 3 : 1



CAT #	SCREW	PLATING	FORM
A00B	E0039	BRIGHT DIP	FORM 1
A00T	E0039	EL-TIN	FORM 1
A01T	E0039	EL-TIN	FORM 1
A02T	E0039	EL-TIN	FORM 1
A06B	E0253	BRIGHT DIP	FORM 153
A06T	E0253	EL-TIN	FORM 153