

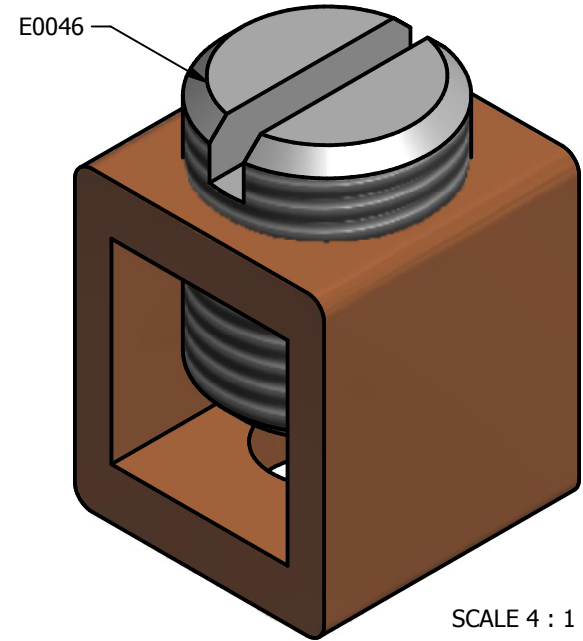
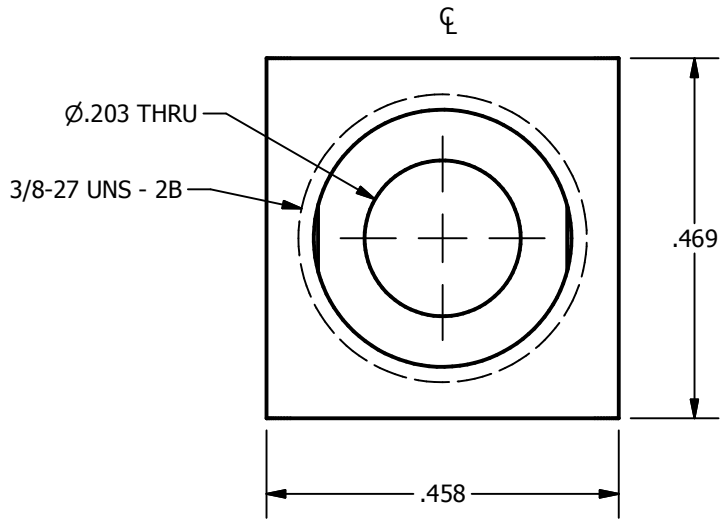


SCREW: E0046	MATERIAL: COPPER	REV: Q		
CAT. NO.: C04CW	PLATING: BRIGHT-DIP	DRAWN BY: CLH	SCALE: 4:1	800-776-9775 www.ilsco.com
INFORMATION SHEET: FORM 1	MARKING: ILSCO, D24, C04-CW, 4-14, 	DATE: 5/16/2008	SIZE: A	DWG. NO. D0024
				SHEET: 1 OF 1



SCALE 4 : 1

