

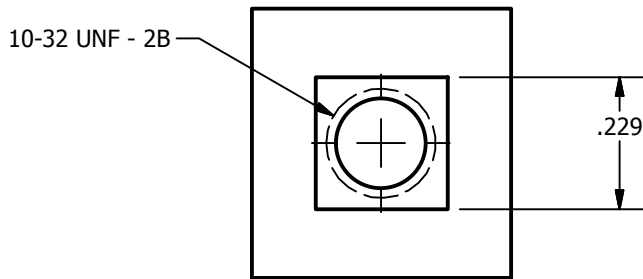
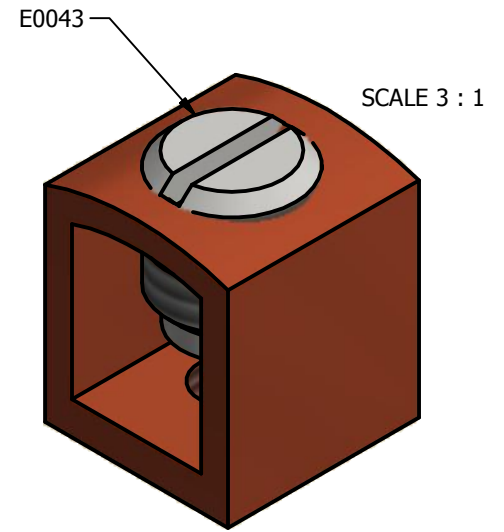
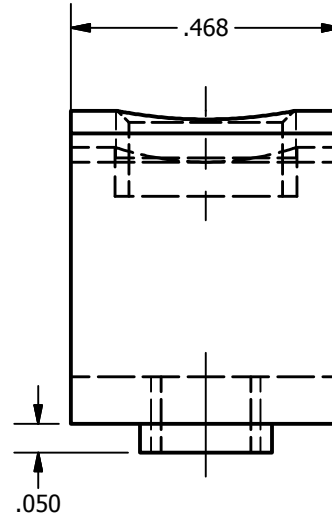
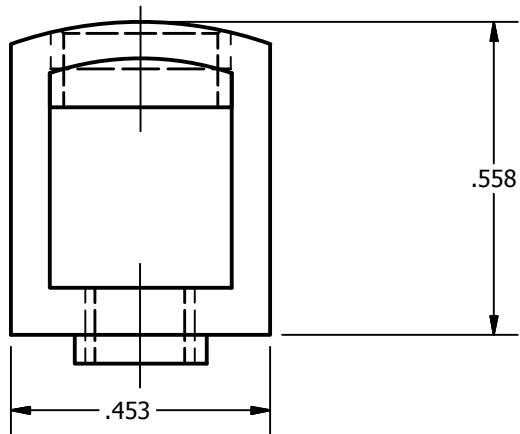
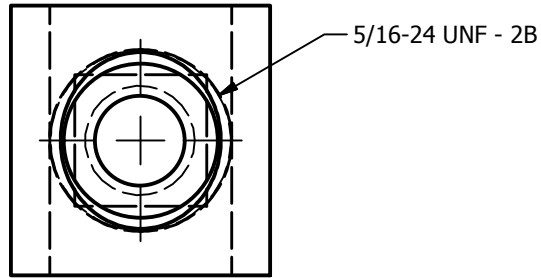
SCREW: SEE CHART  
 CAT. NO.: SEE CHART  
 INFORMATION SHEET: FORM 1

MATERIAL: COPPER  
 PLATING: SEE CHART  
 MARKING: ILSCO, D-27, CO4SP, 14-4

REV: S  
 DRAWN BY: JG  
 DATE: 2/20/2008

**ILSCO**  
*connections matter*  
 800-776-9775 www.ilsco.com

DWG. NO. **D0027**  
 SHEET: 1 OF 1



END USE	DEVIATION	SCREW	PLATING
D0027A00B	-C00B	E0043C92Z	BRIGHT DIP
D0027A00S	-C00S	E0043C92Z	SILVER
D0027A01B	-C00B	E1222C01Z	BRIGHT DIP
D0027A02T	-C00T	E0043C92Z	EL-TIN
CO4SP	-C00B	E0043C92Z	BRIGHT DIP