

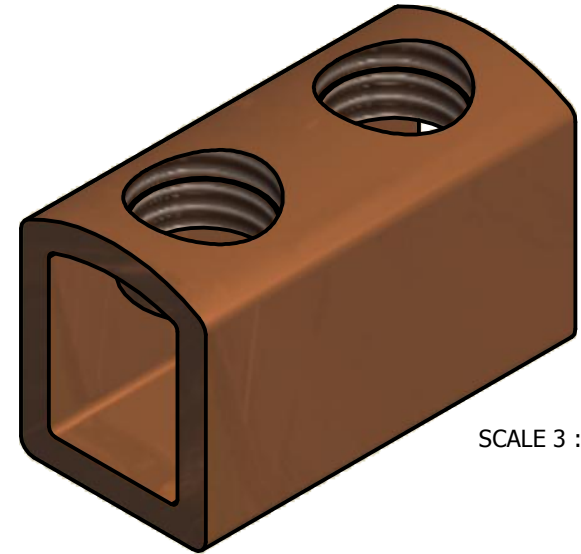
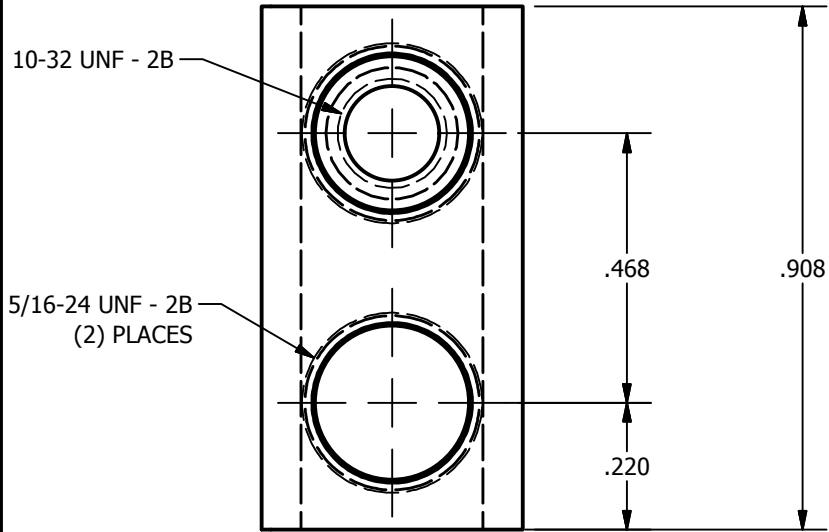


SCREW: NONE	MATERIAL: COPPER	REV: L	 800-776-9775 www.ilsco.com		
CAT. NO.: C04DD	PLATING: NONE	DRAWN BY: CLH			SCALE: 3:1
INFORMATION SHEET: FORM 1	MARKING: ILSCO, D-29, C04, DD, 4-14, 	DATE: 5/16/2008			SIZE: A
		DWG. NO. D0029		SHEET: 1 OF 1	



SCALE 3 : 1

