

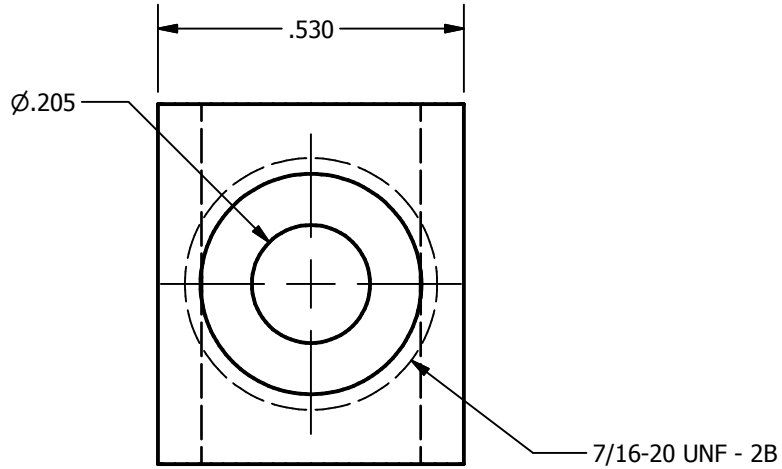
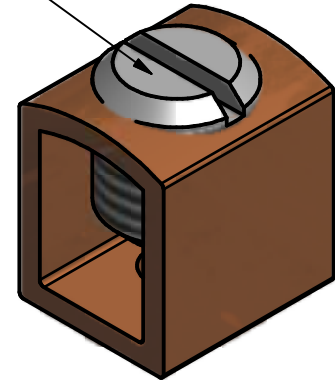


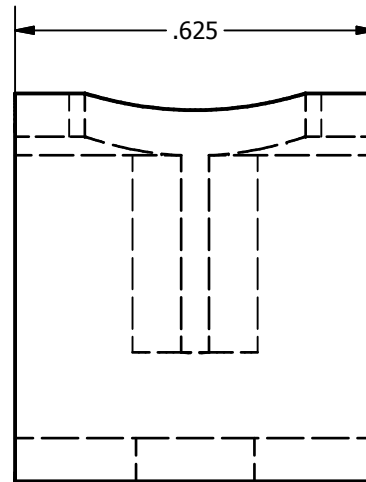
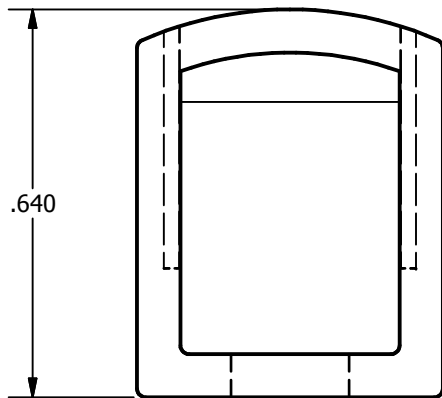
SCREW: SEE CHART	MATERIAL: COPPER	REV: L		
CAT. NO.: NONE	PLATING: NONE	DRAWN BY: CLH	SCALE: 3:1	
INFORMATION SHEET: FORM 1	MARKING: C05CW, 14-1, ILSCO, D-37, 	DATE: 5/16/2008	SIZE: A	
		DWG. NO. D0037		
		SHEET: 1 OF 1		



SEE CHART FOR
SCREW



SCALE 2 : 1



DEV	SCREW
-00	E0064
-03	E1036