


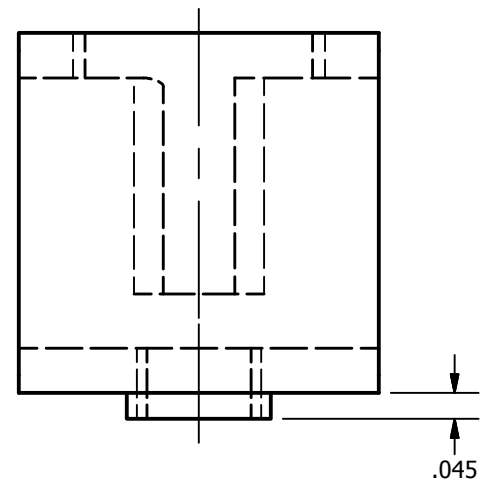
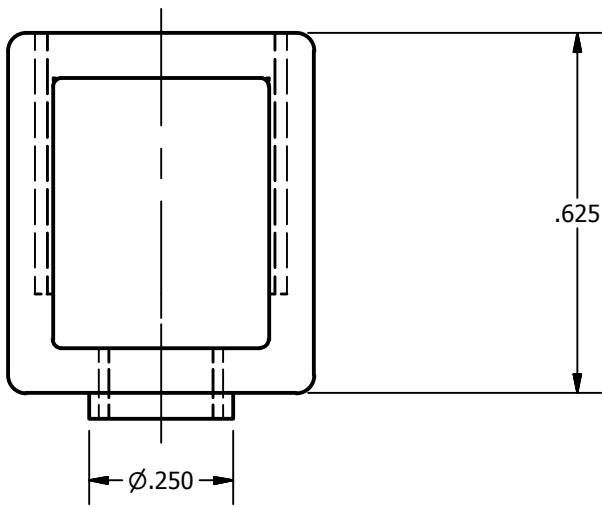
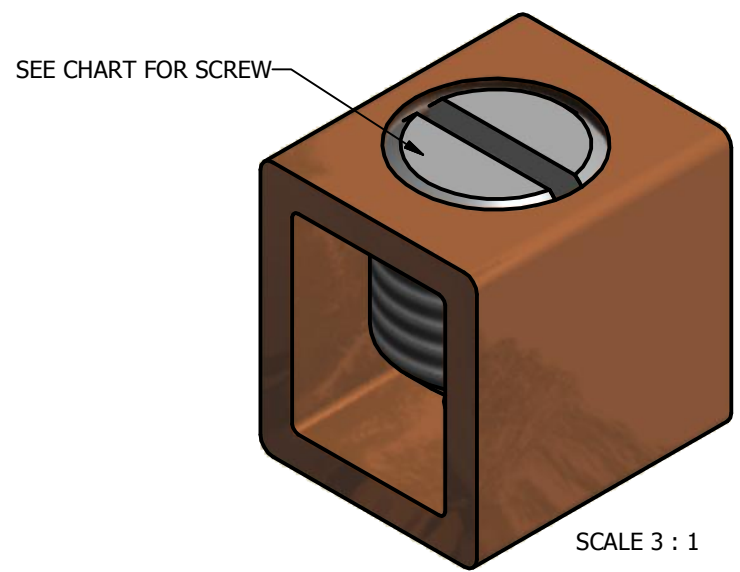
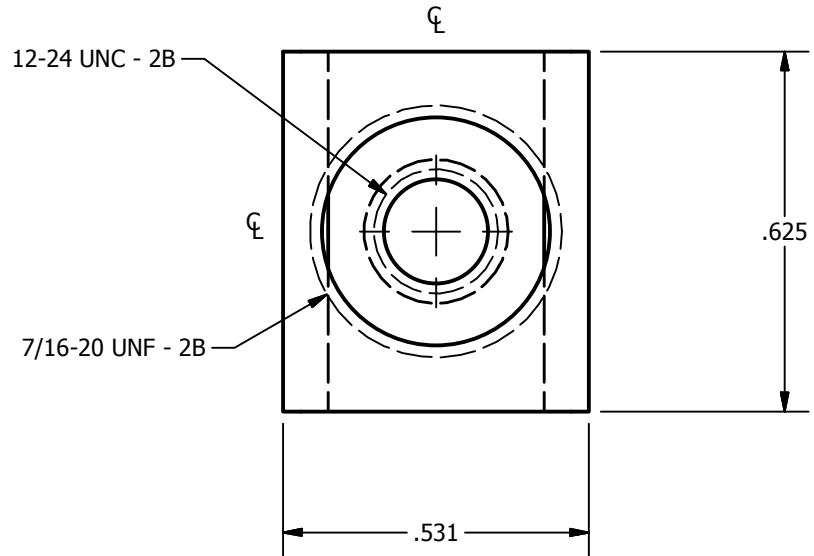
SCREW: SEE CHART
 CAT. NO.: C05SW
 INFORMATION SHEET: FORM 1

MATERIAL: COPPER
 PLATING: BRIGHT DIP
 MARKING: ILSCO, D39, C05SW, 14-0, 

REV: S
 DRAWN BY: CLH
 DATE: 5/14/2008

ILSCO
connections matter
 800-776-9775 www.ilsco.com

DWG. NO. **D0039**
 SHEET: 1 OF 1



DEV	SCREW
-00	E0947
-01	E1041