
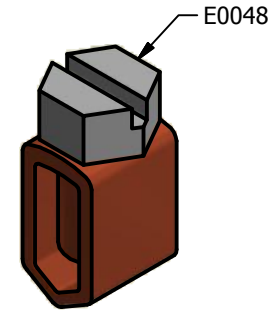
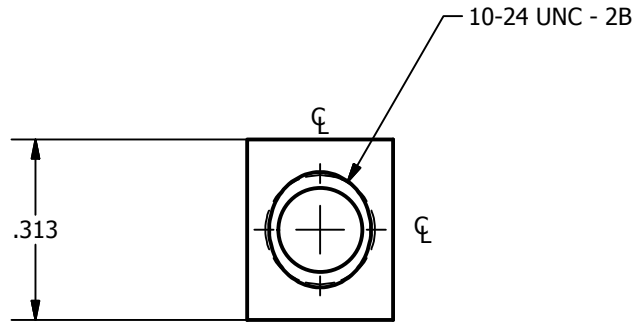
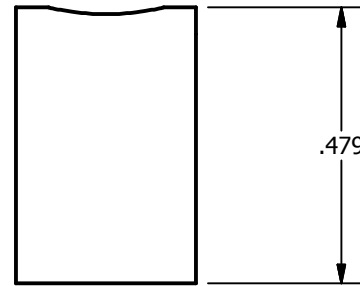
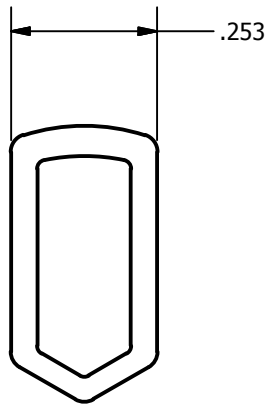


SCREW: E0048	MATERIAL: COPPER	REV: D		
CAT. NO.: SX-10-8	PLATING: BRIGHT DIP	DRAWN BY: JG	SCALE: 3=1	
INFORMATION SHEET: NONE	MARKING: SEE CHART	DATE: 5/14/2007	SIZE: A	800-776-9775 www.ilSCO.com
			DWG. NO.	D0051
			SHEET: 1 OF 1	



SCALE 2 : 1



DEV	ONE SIDE MARKING	OTHER SIDE MARKING
C00B	ILSCO, SX10-8	8-10 STR
C06B	BURNDY, KP10C	8-10 STR, CU