
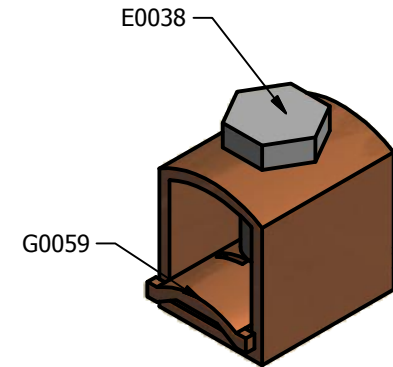
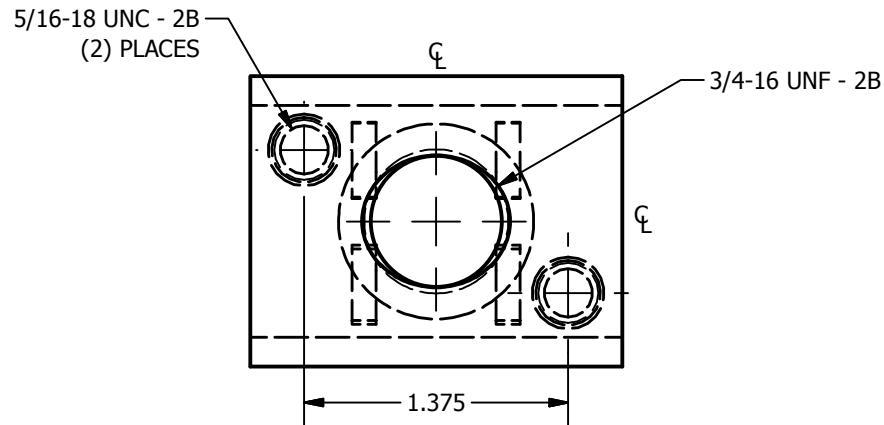


SCREW: E0038	MATERIAL: COPPER	REV: L		
CAT. NO.: C08	PLATING: BRIGHT DIP	DRAWN BY: JG	SCALE: 1=1	800-776-9775 www.ilsco.com
INFORMATION SHEET: FORM 1	MARKING: SEE BELOW	DATE: 8/28/2008	SIZE: A	DWG. NO. <b>D0075</b>
				SHEET: 1 OF 1



SCALE 1 / 2

