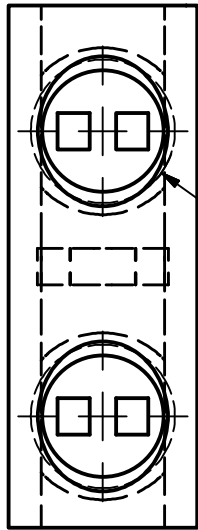
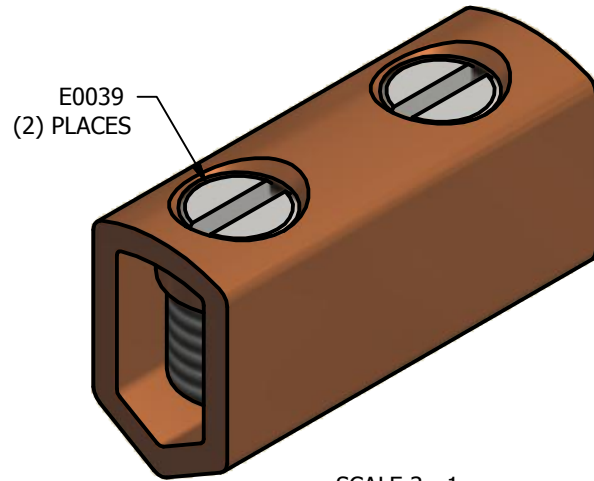


| | | | | |
|----------------------------|-------------------------|-----------------|---------------------------------------|----------------------------|
| SCREW: E0039 | MATERIAL: COPPER | REV: M | ILSCO connections matter | |
| CAT. NO.: 2SC-35 | PLATING: EL-TIN | DRAWN BY: JG | SCALE: 3=1 | 800-776-9775 www.ilsco.com |
| INFORMATION SHEET: FORM 12 | MARKING: ILSCO, 2-SC-35 | DATE: 8/15/2007 | SIZE: A | DWG. NO. D0091 |
| | | | | SHEET: 1 OF 1 |



1/4-28 UNF - 2B
(2) PLACES



SCALE 3 : 1

