
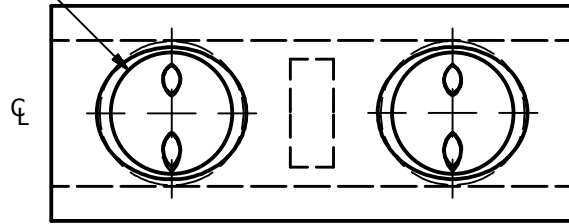
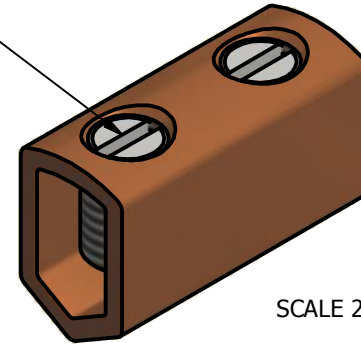


SCREW: E0039	MATERIAL: COPPER	REV: V	ILSCO connections matter	
CAT. NO.: 2SC-50	PLATING: BRIGHT DIP	DRAWN BY: JG	SCALE: 3=1	800-776-9775 www.ilsco.com
INFORMATION SHEET: FORM 12	MARKING:  , 2SC-50, 4-14	DATE: 5/10/2007	SIZE: A	DWG. NO. D0092-00
				SHEET: 1 OF 1

1/4-28 UNF - 2B
(2) PLACES



E0039
(2) PLACES



SCALE 2 : 1

