

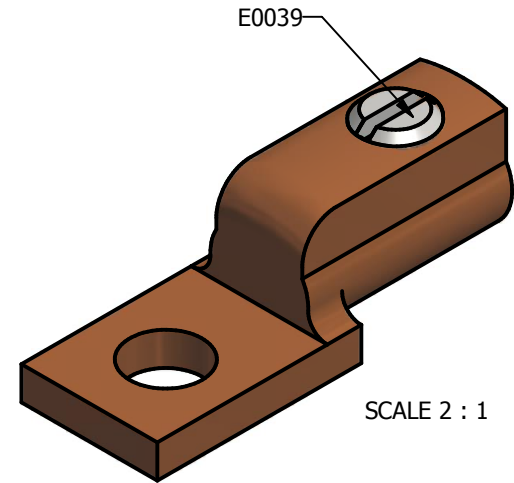
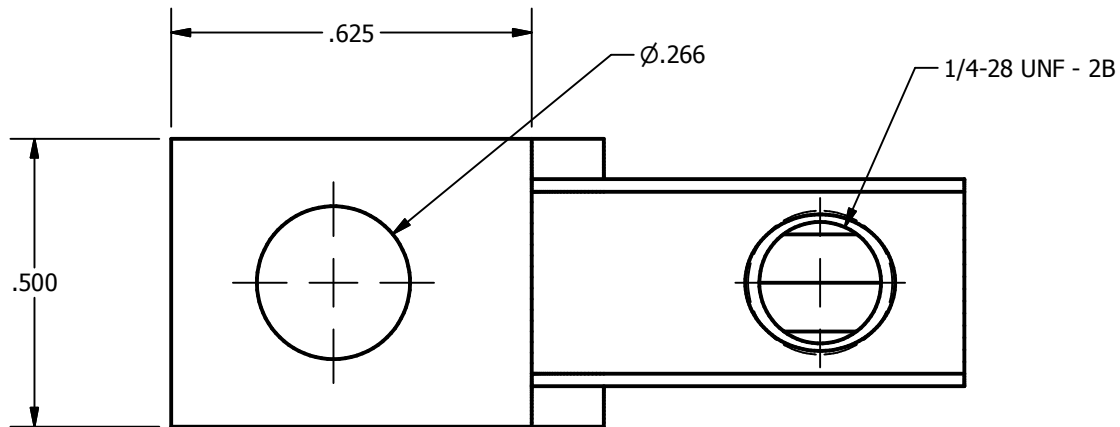
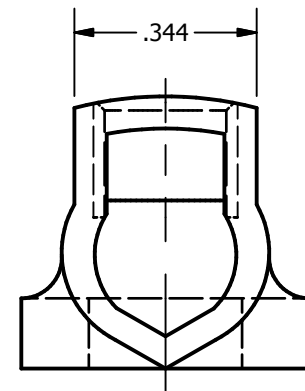
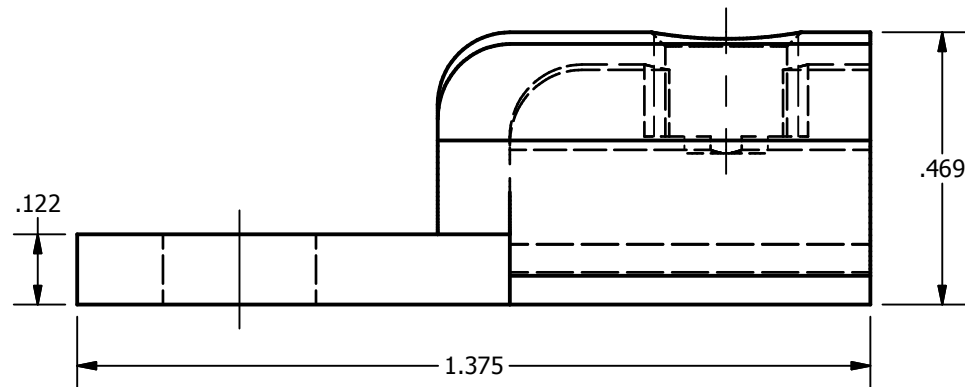


SCREW: E0039	MATERIAL: COPPER	REV: L	ILSCO connections— matter	
CAT. NO.: LO-4	PLATING: SEE CHART	DRAWN BY: JG	SCALE: 3:1	800-776-9775 www.ilsco.com
INFORMATION SHEET: FORM 12	MARKING: ILSCO, 4-14, L0-4  	DATE: 9/3/2008	SIZE: A	DWG. NO. D0149-01
				SHEET: 1 OF 1



SCALE 2 : 1



DEV	PLATING
C01B	BRIGHT DIP
C01T	EL-TIN