


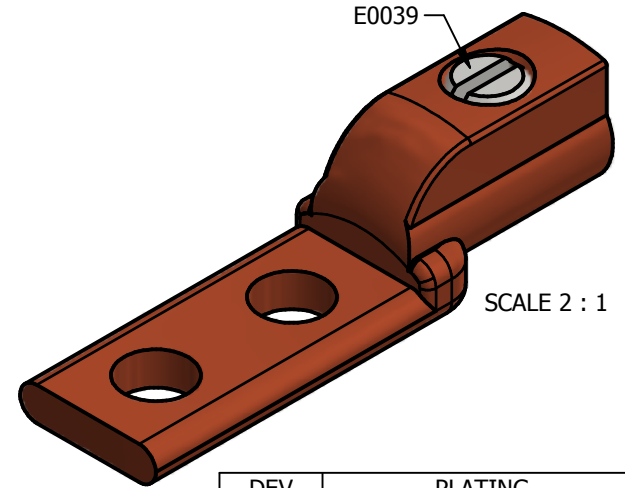
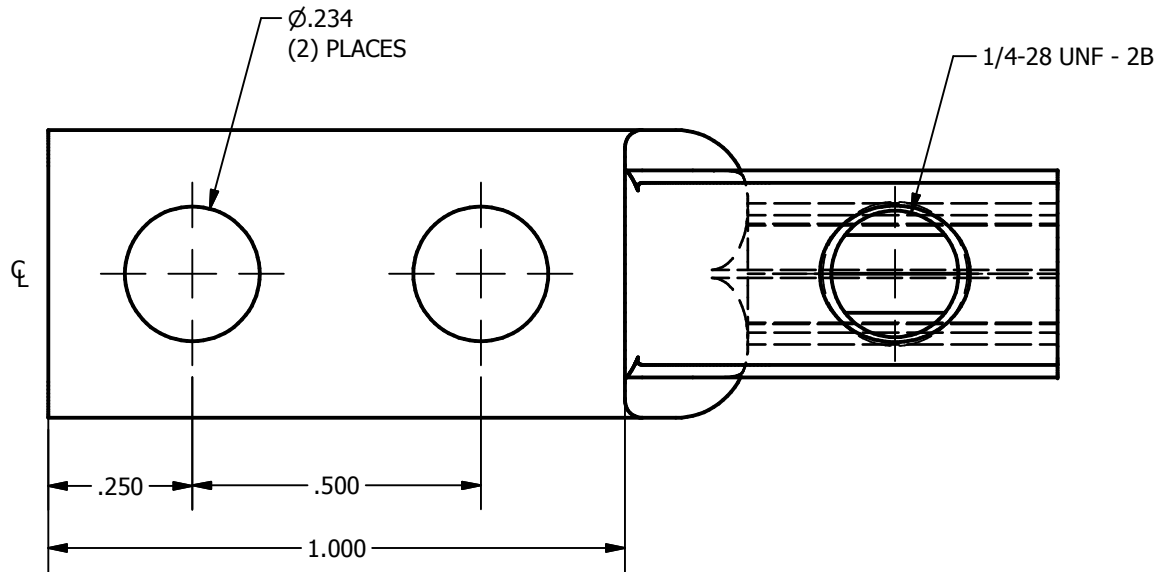


SCREW: E0039	MATERIAL: COPPER	REV: Q		
CAT. NO.: VT-4-S	PLATING: SEE CHART	DRAWN BY: CLH	SCALE: 3:1	800-776-9775 www.ilsco.com
INFORMATION SHEET: FORM 12	MARKING: ILSCO, VT 4-S, 4-14, D461,  	DATE: 4/24/2008	SIZE: A	DWG. NO. D0461
				SHEET: 1 OF 1



DEV	PLATING
C00B	BRIGHT DIP
C00A	NONE
C01H	ZINC GREEN TRIVALENT

