



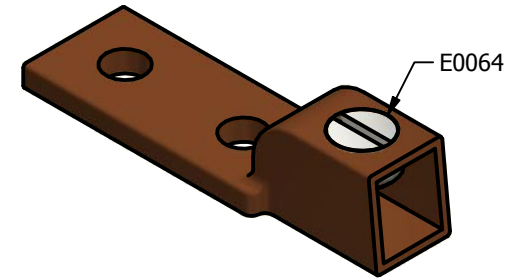
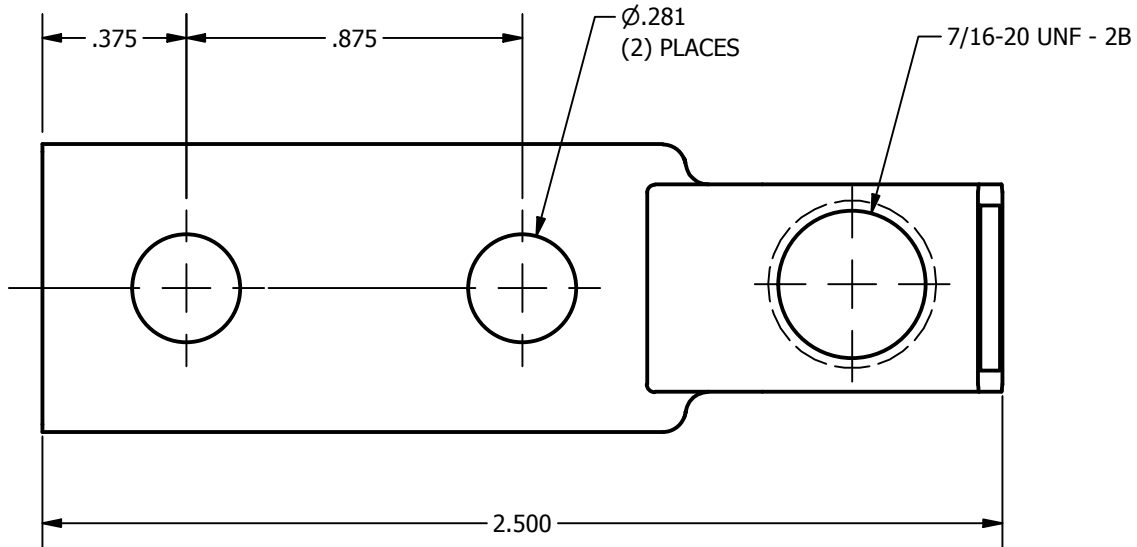
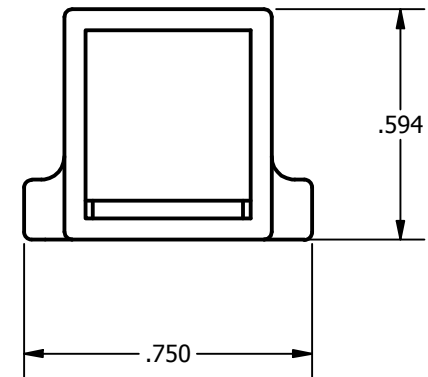
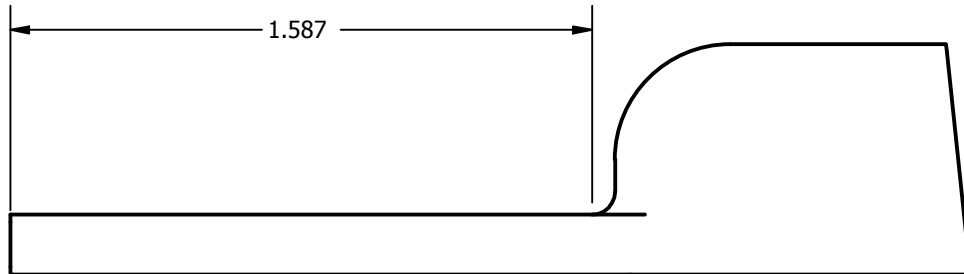


SCREW: E0064	MATERIAL: COPPER	REV: R	 800-776-9775 www.ilSCO.com
CAT. NO.: LO-0-S	PLATING: SEE CHART	DRAWN BY: CLH SCALE:2:1	
INFORMATION SHEET: FORM 1	MARKING:  , LO-0-S, 0-14, D462  	DATE: 5/30/2007 SIZE: A	
		DWG. NO. <b>D0462</b>	SHEET: 1 OF 1



SCALE 1 : 1



DEVIATION	PLATING
COOB	BRIGHT DIP
A00B	BRIGHT DIP
COOT	EL-TIN
A00T	EL-TIN