



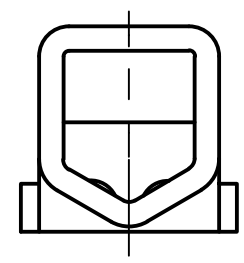
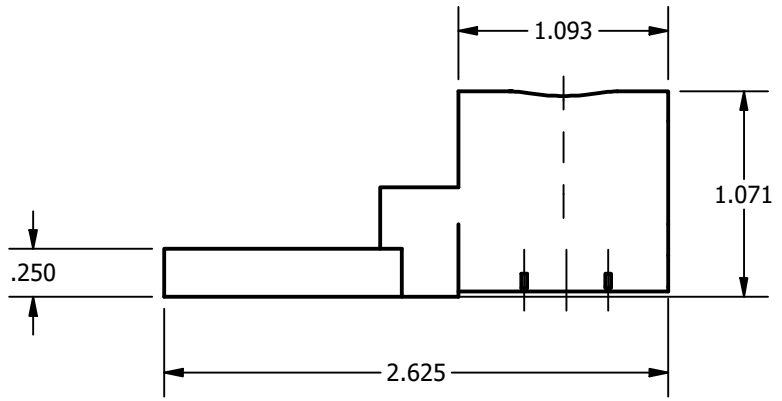
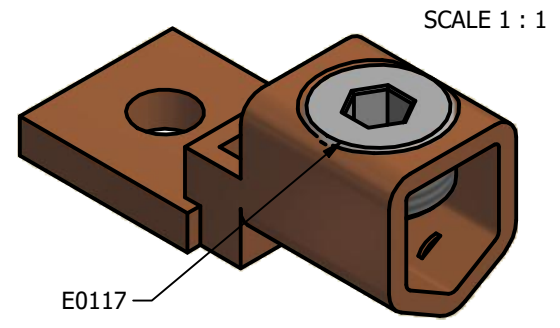
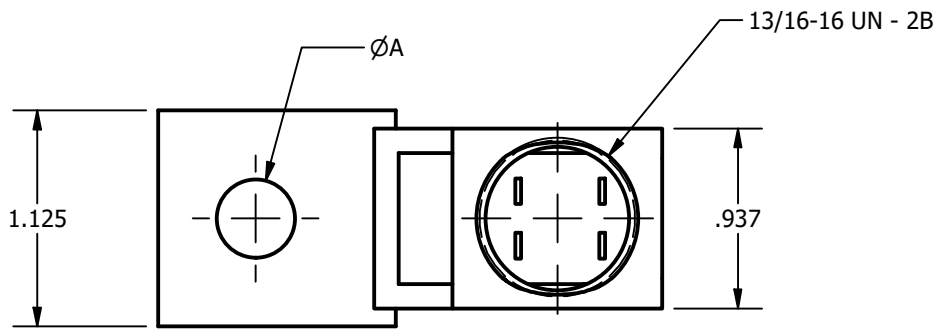
SCREW: E0117  
 CAT. NO.: SEE CHART  
 INFORMATION SHEET: FORM 1

MATERIAL: COPPER  
 PLATING: SEE CHART  
 MARKING: ILSCO, LO-350, 4-350kcmil,  

REV: AA  
 DRAWN BY: CLH  
 DATE: 7/15/2008

**ILSCO**  
*connections matter*  
 800-776-9775 www.ilsco.com

DWG. NO. **D0474**  
 SHEET: 1 OF 1



CAT. NO.	PLATING	A
LO-350STD	BRIGHT DIP	.406
A00B	BRIGHT DIP	.406
A43T	EL-TIN	.531