


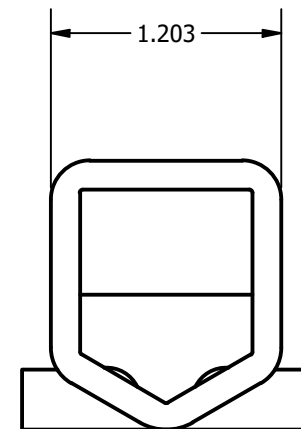
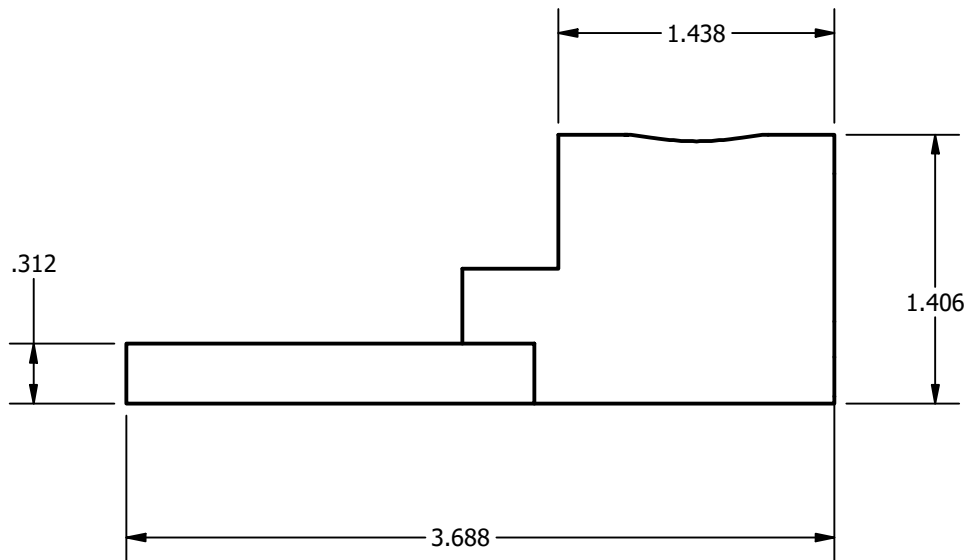
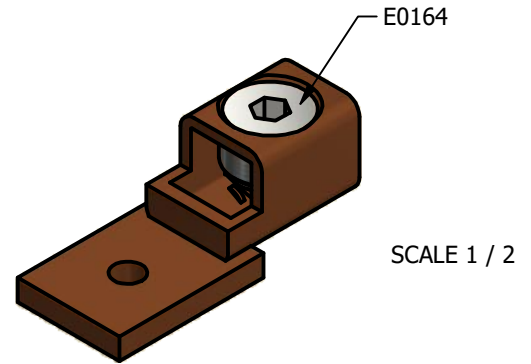
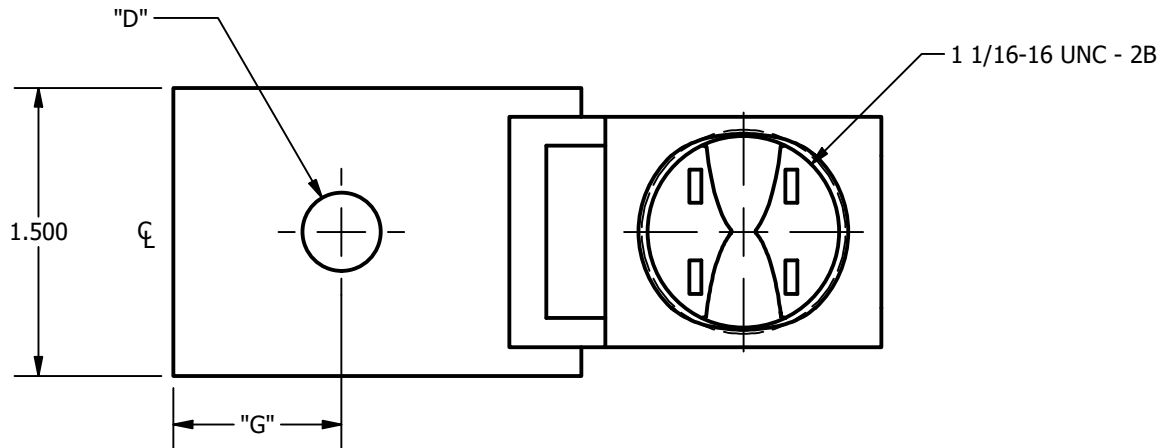


SCREW: E0164	MATERIAL: COPPER	REV: AB	 800-776-9775 www.ilsco.com		
CAT. NO.: SEE CHART	PLATING: SEE CHART	DRAWN BY: JG			SCALE: 1:1
INFORMATION SHEET: FORM 1	MARKING: ILSCO, LO-600, 600MCM-1, CU  	DATE: 6/14/2007			SIZE: A
		DWG. NO.	D0522		
		SHEET: 1 OF 1			



END USE	"D"	"G"	PLATING
LO-600	.406	.875	BRIGHT DIP
D0522A83T	.531	.875	EL-TIN