


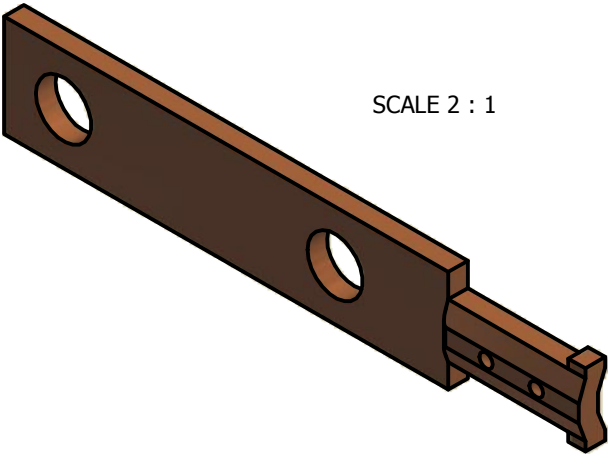


SCREW:	MATERIAL: COPPER	REV:	F	 800-776-9775 www.ilsco.com
CAT. NO.: H-35	PLATING: BRIGHT DIP	DRAWN BY: JG	SCALE: 1=1	
INFORMATION SHEET: FORM 12	MARKING: H35  	DATE: 11/16/2007	SIZE: A	
			DWG. NO.	F0012-03
			SHEET: 1 OF 1	



SCALE 2 : 1

