


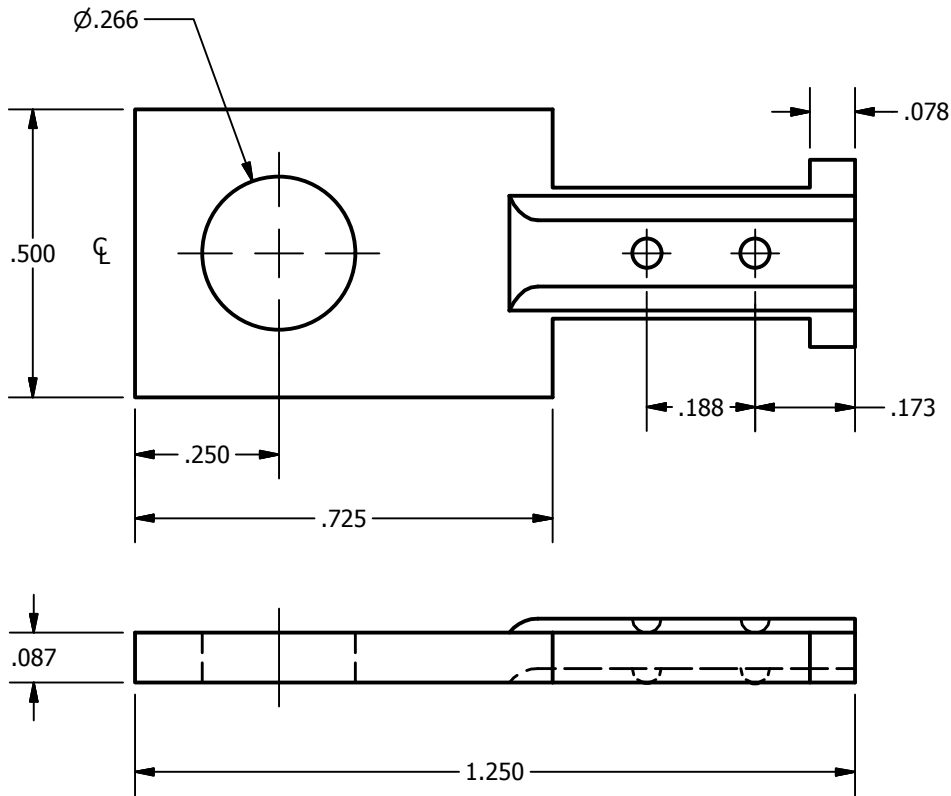


SCREW: NONE	MATERIAL: COPPER	REV: J		
CAT. NO.: SAS-70	PLATING: SEE CHART	DRAWN BY: JG		
INFORMATION SHEET: FORM 12	MARKING: SAS 70  	DATE: 6/4/2007	SIZE: A	800-776-9775 www.ilsco.com
			DWG. NO.	F0014
			SHEET: 1 OF 1	



VIEW9
SCALE 2 : 1

DEV	PLATING
COOB	BRIGHT DIP
COOT	EL-TIN