

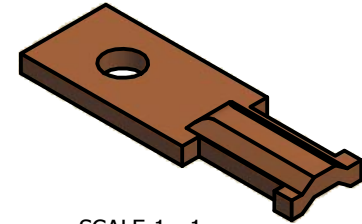
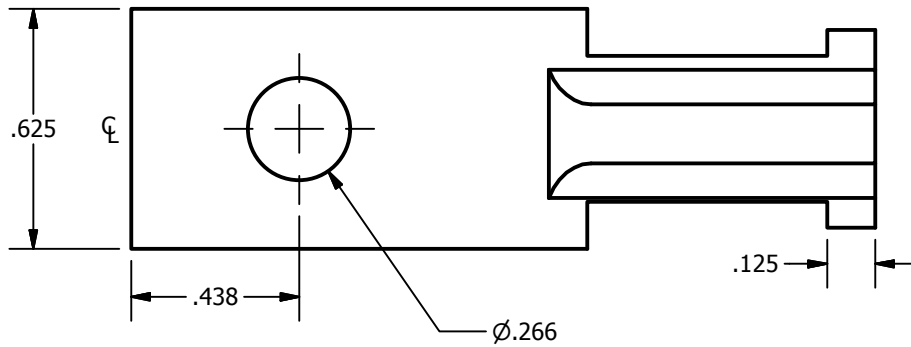


SCREW: NONE	MATERIAL: COPPER	REV: L	 800-776-9775 www.ilsco.com	
CAT. NO.: SLS-125	PLATING: BRIGHT DIP	DRAWN BY: JG		SCALE: 2=1
INFORMATION SHEET: FORM 1	MARKING: SLS-125 	DATE: 6/8/2007		SIZE: A
		DWG. NO. F0018		
		SHEET: 1 OF 1		



SCALE 1 : 1

