
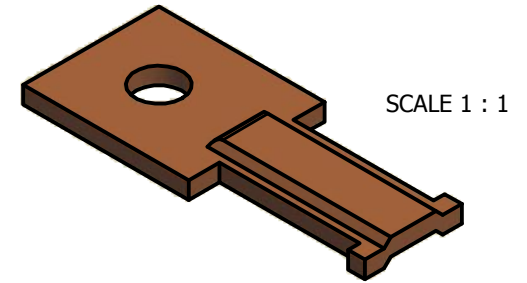
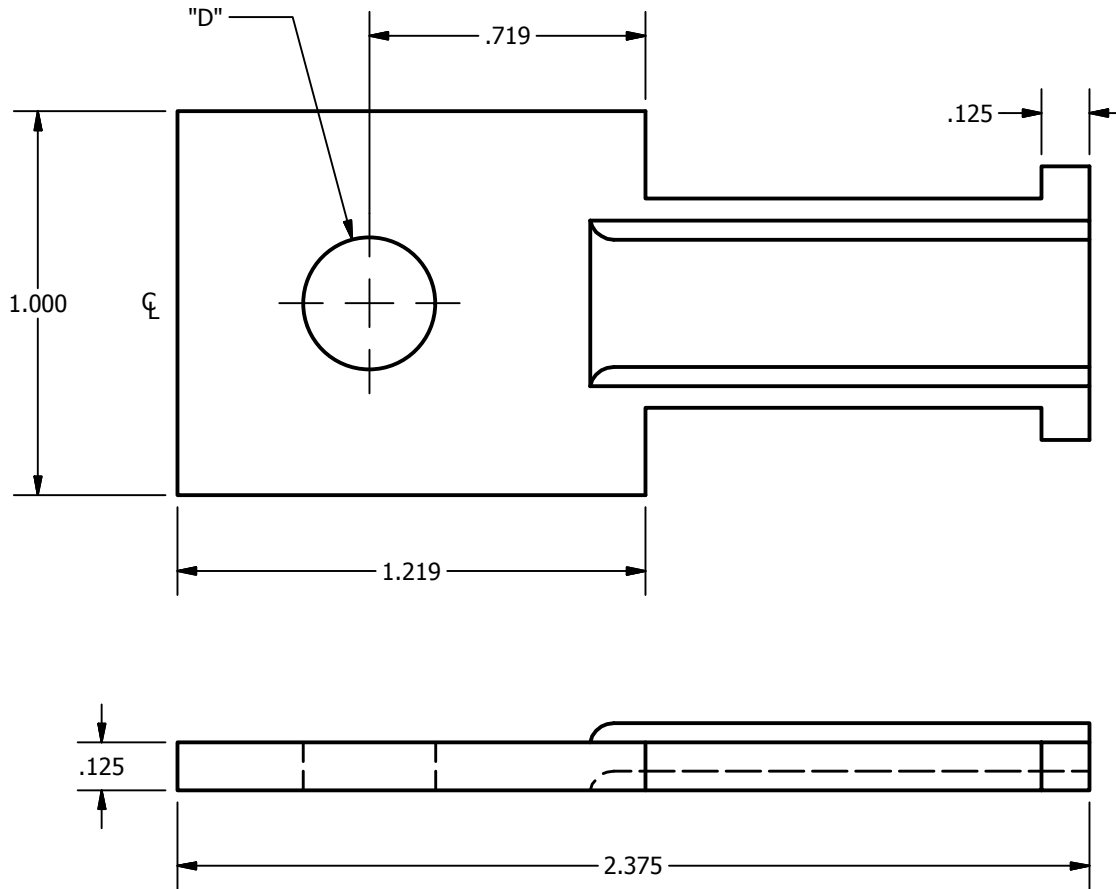


SCREW: NONE	MATERIAL: COPPER	REV: I		
CAT. NO.: SLS-225	PLATING: SEE CHART	DRAWN BY: JG	SCALE: 2=1	800-776-9775 www.ilsco.com
INFORMATION SHEET: FORM 1	MARKING: SEE CHART	DATE: 6/8/2007	SIZE: A	DWG. NO. F0020
				SHEET: 1 OF 1



DEV	"D"	PLATING	MARKING
C00B	.344	BRIGHT DIP	SLS-225 
C83T	.531	EL-TIN	SLS-225 
C89B	N/A	BRIGHT DIP	NONE