


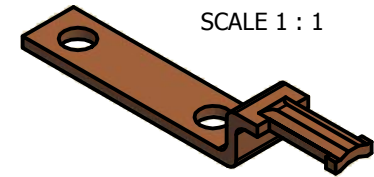
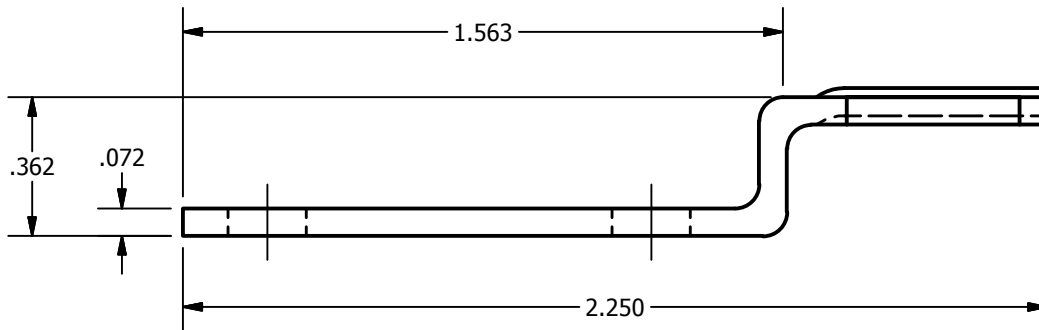
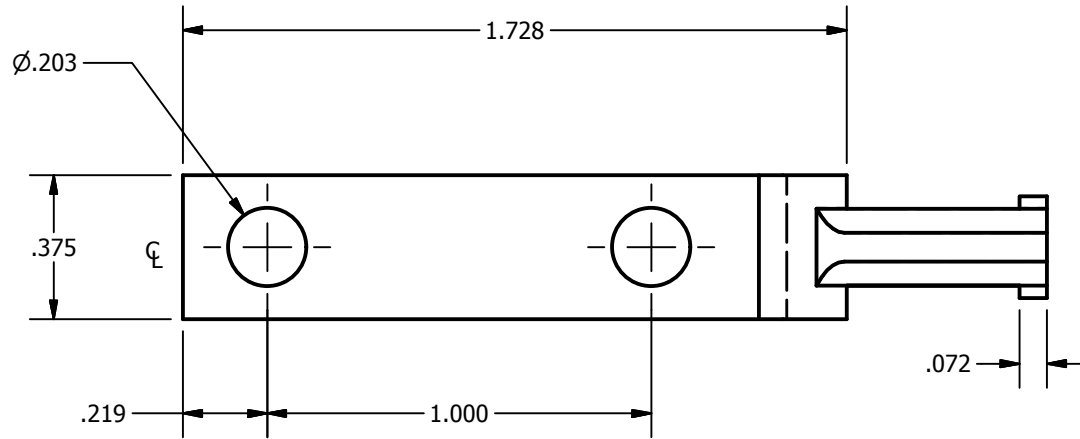


SCREW: NONE	MATERIAL: COPPER	REV: P	 800-776-9775 www.ilsco.com
CAT. NO.: E-35	PLATING: SEE CHART	DRAWN BY: JG SCALE: 2=1	
INFORMATION SHEET: FORM 12	MARKING: E-35  	DATE: 6/8/2007 SIZE: A	
		DWG. NO. F0043	SHEET: 1 OF 1



DEV	PLATING
C00B	BRIGHT DIP
C00T	EL-TIN