


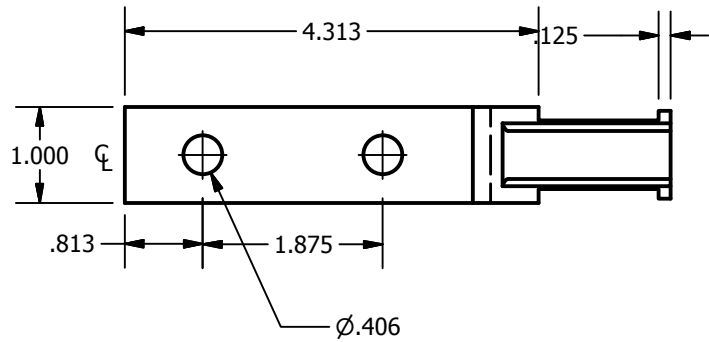


SCREW: NONE	MATERIAL: COPPER	REV: L	 800-776-9775 www.ilsco.com
CAT. NO.: E-300	PLATING: BRIGHT DIP	DRAWN BY: JG SCALE: 1=2	
INFORMATION SHEET: FORM 1	MARKING: E-300  	DATE: 6/15/2007 SIZE: A	
		DWG. NO. <b>F0197</b>	SHEET: 1 OF 1



SCALE 1 / 2

