

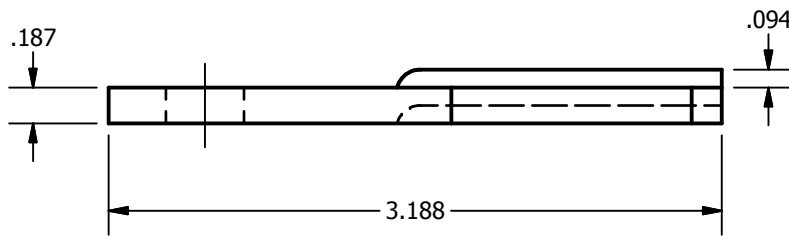
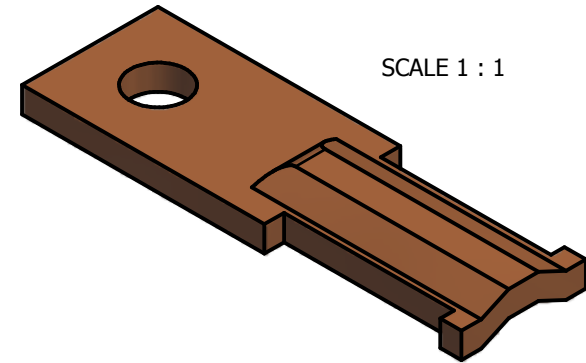
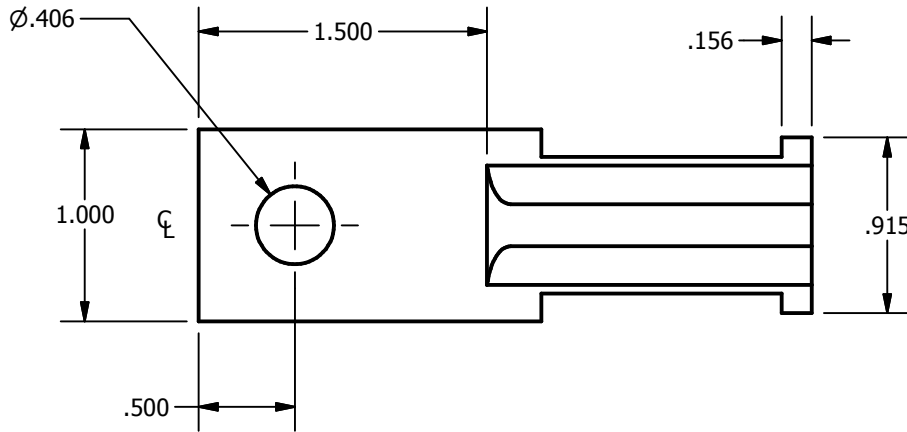


SCREW: NONE	MATERIAL: COPPER	REV: Q	<b>ILSCO</b> connections matter 800-776-9775 www.ilsco.com	
CAT. NO.: NONE	PLATING: SEE CHART	DRAWN BY: JG	SCALE: 1=1	
INFORMATION SHEET: FORM 1	MARKING: SLS300,  , 	DATE: 6/18/2007	SIZE: A	DWG. NO. <b>F0213</b>
				SHEET: 1 OF 1



DEV	PLATING
C00B	BRIGHT DIP
C00T	EL-TIN