



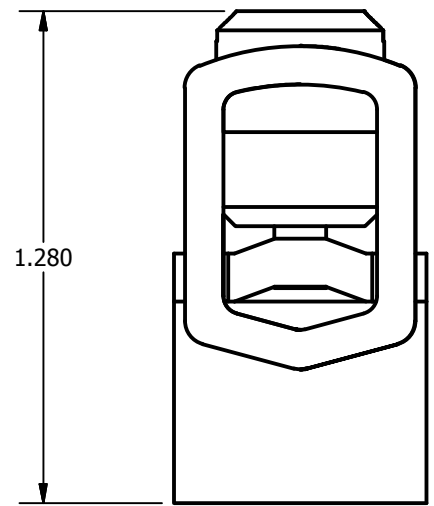
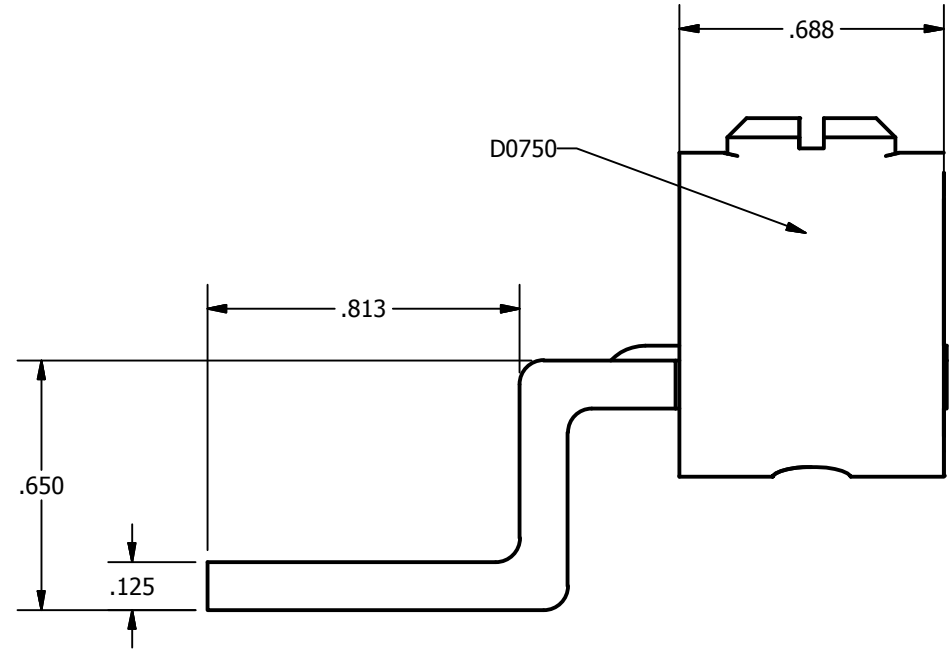
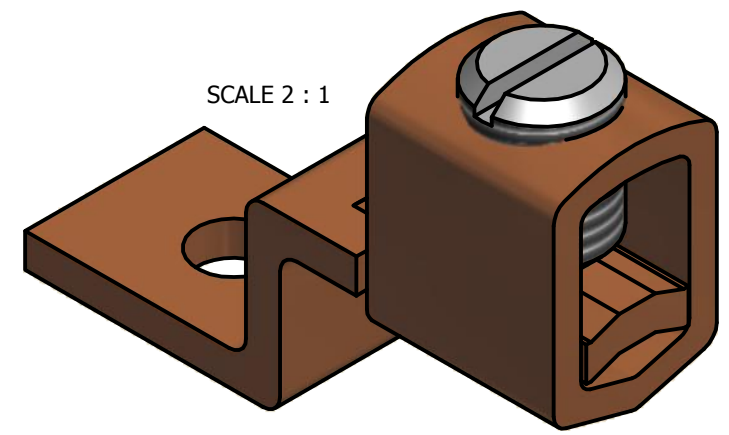
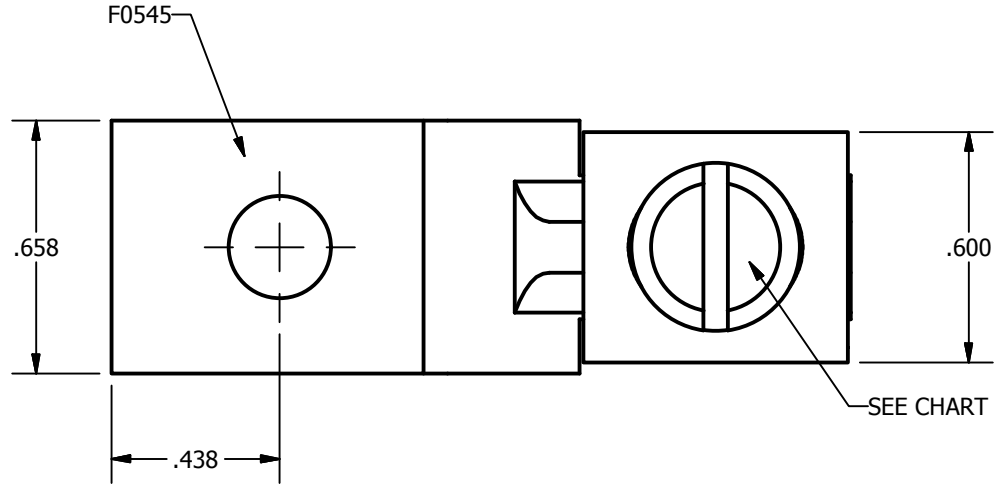
SCREW: SEE CHART  
 CAT. NO.: SLUH-125  
 INFORMATION SHEET: FORM 1 AND 57

MATERIAL: NONE  
 PLATING: NONE  
 MARKING: TANG: ILSCO, SLUH-125    
 COLLAR: 0-8

REV: M  
 DRAWN BY: JG  
 DATE: 7/8/2008

SCALE: 2=1  
 SIZE: A

**ILSCO**  
*connections*  
*matter*  
 800-776-9775 www.ilsco.com  
 DWG. NO. **M0246**  
 SHEET: 1 OF 1



DEV	SCREW
-00	E1388
-01	E1387