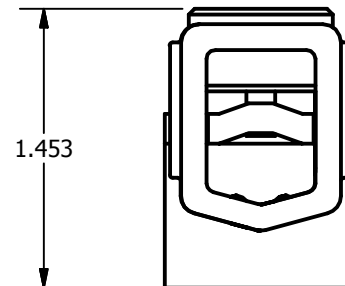
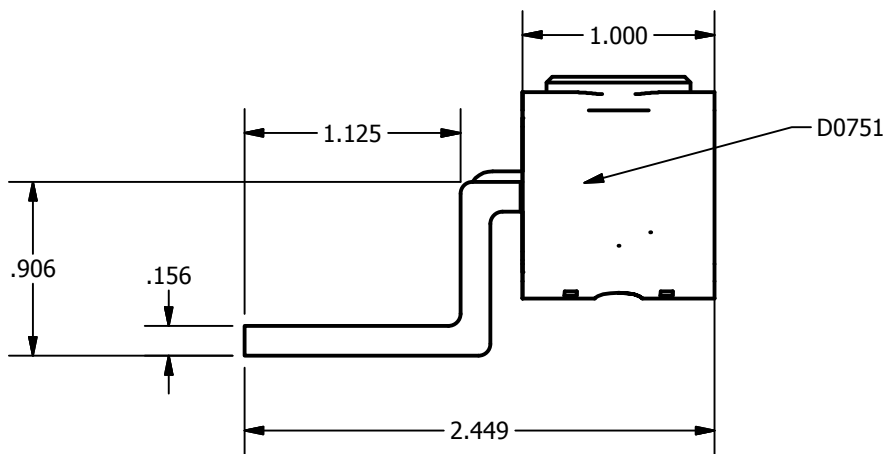
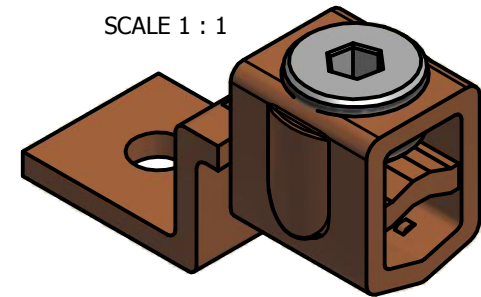
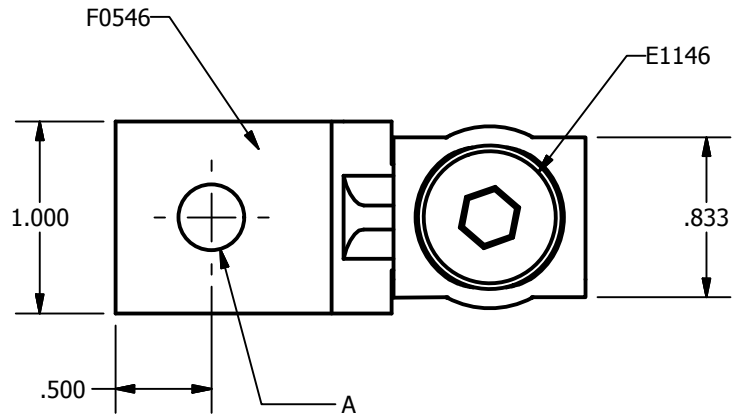


SCREW: E1146 - BRASS
 CAT. NO.: SLUH-225
 INFORMATION SHEET: FORM 1 AND 57

MATERIAL: NONE
 PLATING: NONE
 MARKING: TANG: ILSCO, SLUH-225, 6-250MCM
 UL V

REV:
 DRAWN BY: JG
 DATE: 7/9/2008
 SCALE:
 SIZE: A

ILSCO
connections matter
 800-776-9775 www.ilsco.com
 DWG. NO. **M0247**
 SHEET: 1 OF 1



DEV	"A"
-00	.344
-83	.531
-86	.406