

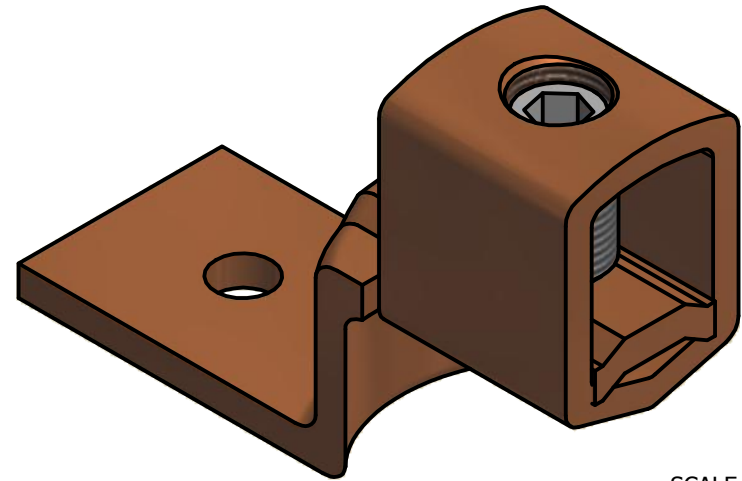
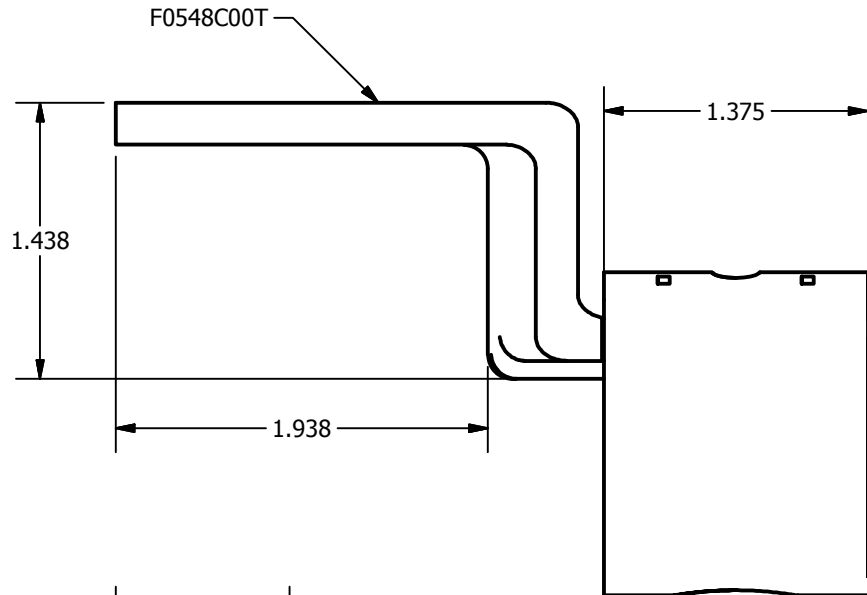


SCREW: E0295	MATERIAL: NONE	REV: G	ILSCO connections matter	
CAT. NO.: SLUH-400	PLATING: NONE	DRAWN BY: JG	SCALE: 1=1	800-776-9775 www.ilsco.com
INFORMATION SHEET: FORM 1 AND 57	MARKING: TANG: ILSCO, SLUH-400, 500MCM-1/0  	DATE: 7/9/2008	SIZE: A	DWG. NO. M0249-00
				SHEET: 1 OF 1



SCALE 1 : 1

