


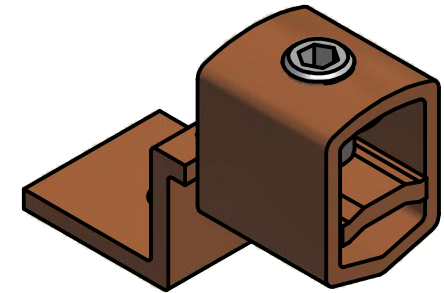
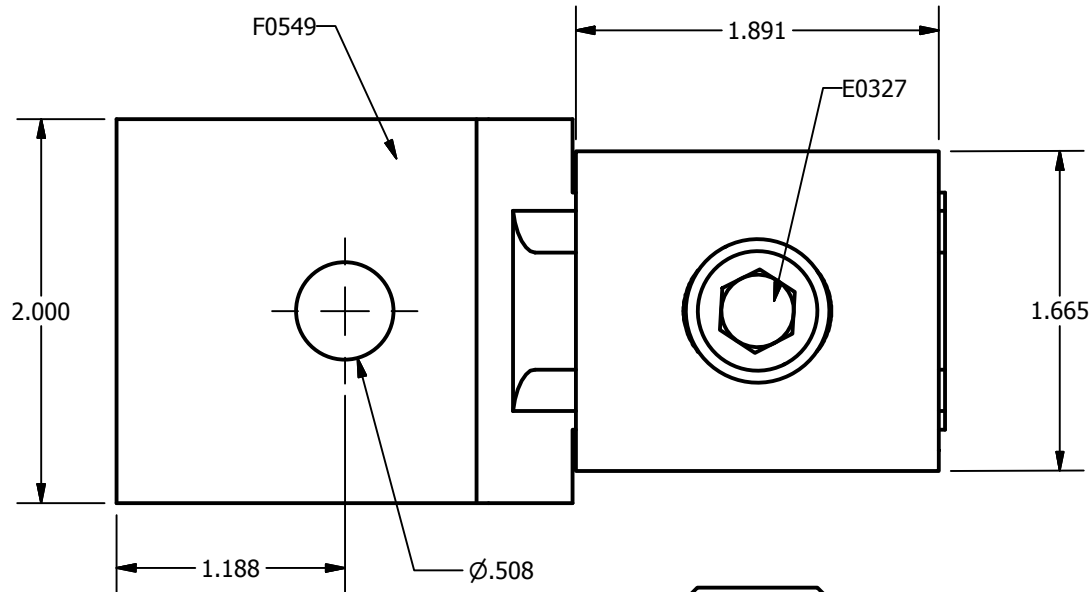


| | | | |
|----------------------------------|--|-------------------------|--|
| SCREW: E0327 | MATERIAL: NONE | REV: F |  800-776-9775 www.ilsco.com |
| CAT. NO.: SLUH-650 | PLATING: NONE | DRAWN BY: JG SCALE: 1=1 | |
| INFORMATION SHEET: FORM 1 AND 57 | MARKING: TANG: SLUH-650A   | DATE: 7/9/2008 SIZE: A | |
| | | | DWG. NO. M0250 |
| | | | SHEET: 1 OF 1 |



SCALE 1 / 2

