

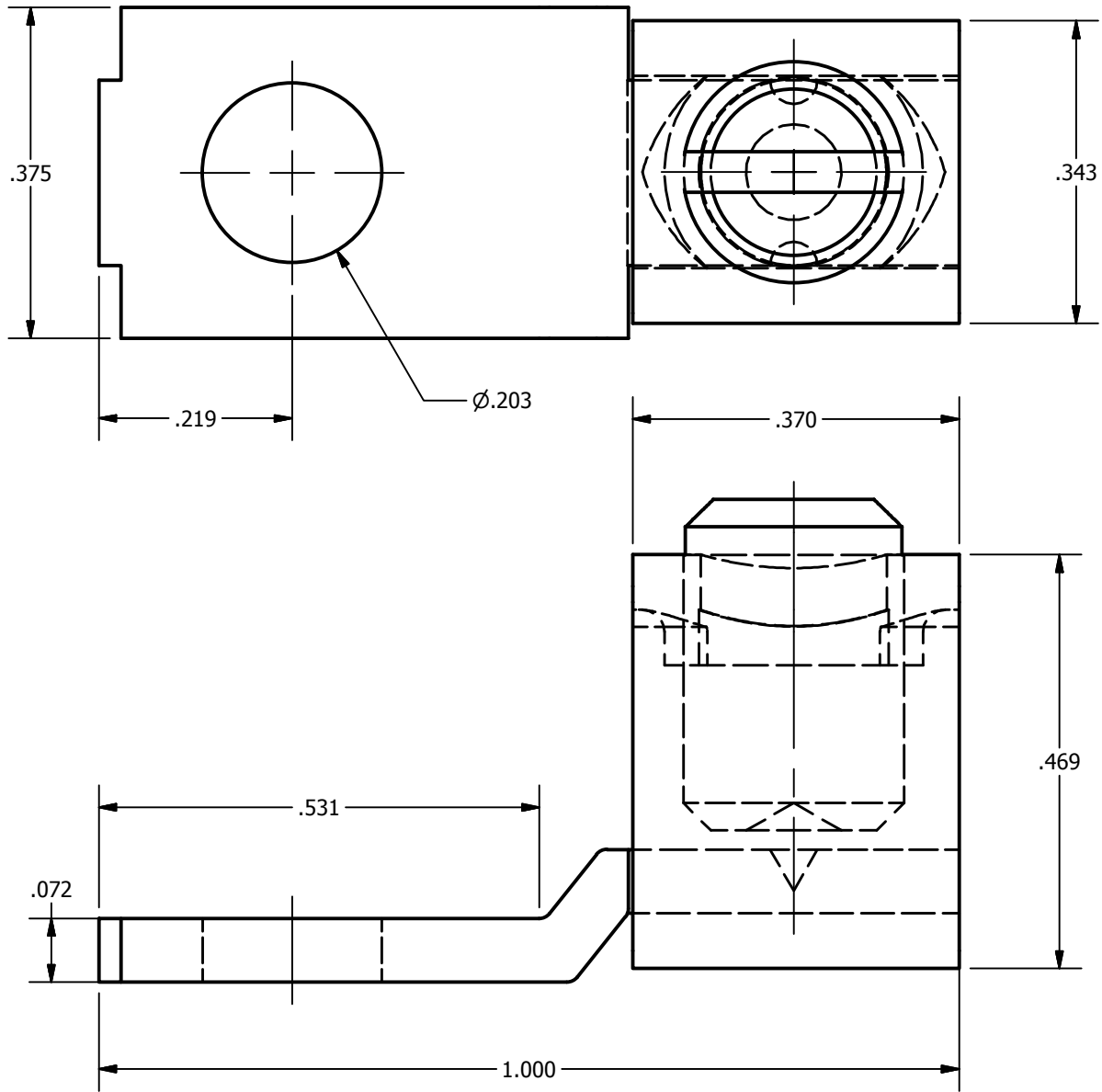


SCREW: E1254	MATERIAL: NONE	REV: I	 800-776-9775 www.ilsco.com
CAT. NO.: XT-6	PLATING: NONE	DRAWN BY: CLH SCALE: 5:1	
INFORMATION SHEET: FORM 12	MARKING: TANG: ILSO, XT6, 6-14 	DATE: 6/27/2008 SIZE: A	
COLLAR: DIRECT BURIAL		DWG. NO. M2801-00	
		SHEET: 1 OF 1	



SCALE 2 : 1

