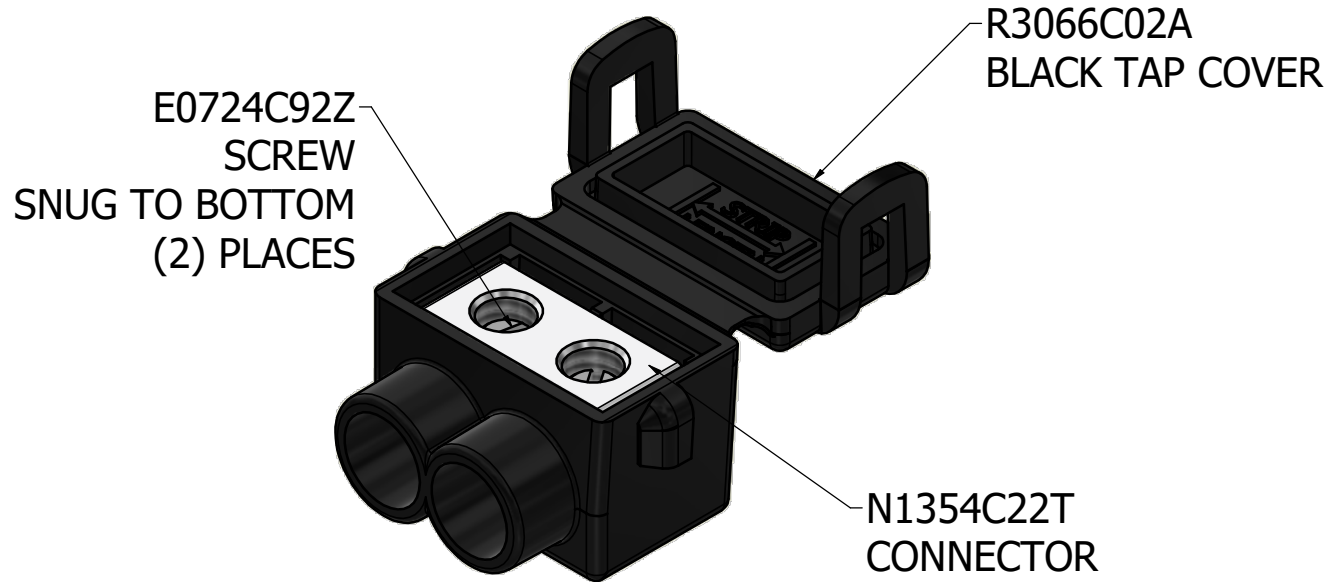


CAT. NO.: MAC-618-T-K

TOLERANCES UNLESS OTHERWISE SPECIFIED		
2 PL. DEC. ±.015	TRUE C.L. ±.015	<b>ILSCO</b> connections matter
3 PL. DEC. ±.015	ANGLES ±1	
DRAWN BY: db	SCALE: 3 : 1	DWG NO: M3146
DATE: 10/8/2019	SIZE: B	SHEET: 1 OF 2
REV	DESCRIPTION	APPROVED BY:
B	SNUG TO BOTTOM WAS FLUSH TO TOP ECO 40749, JL 05/13/20	SRS 05/19/20

**NOTE**

1. USE FORM 280



E0724C92Z  
SCREW  
SNUG TO BOTTOM  
(2) PLACES

R3066C02A  
BLACK TAP COVER

N1354C22T  
CONNECTOR