

SCREW: E0724

MATERIAL: PLASTIC

REV: B

CAT. NO.: MAC-618-S-K

PLATING: NONE

DRAWN BY:db

SCALE: 3 : 1

INFORMATION SHEET:FORM 280

MARKING: NONE

DATE:10/9/2019

SIZE: B

ILSCO
connections
matter
800-776-9775 www.ilSCO.com

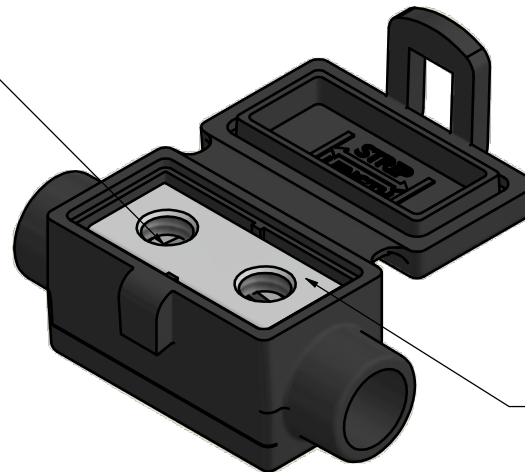
DWG NO:

M3150

SHEET: 1 OF 1



E0724
SCREW
(2) PLACES



R3067
SPLICE COVER

D4045
CONNECTOR

SCALE 2.5 : 1

