

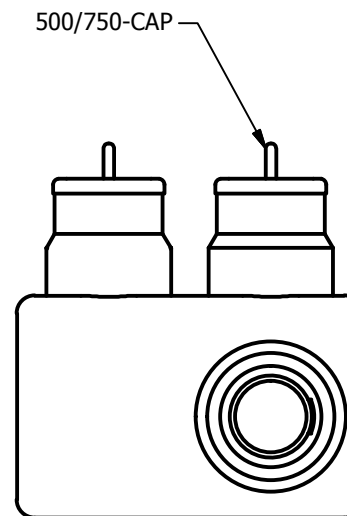
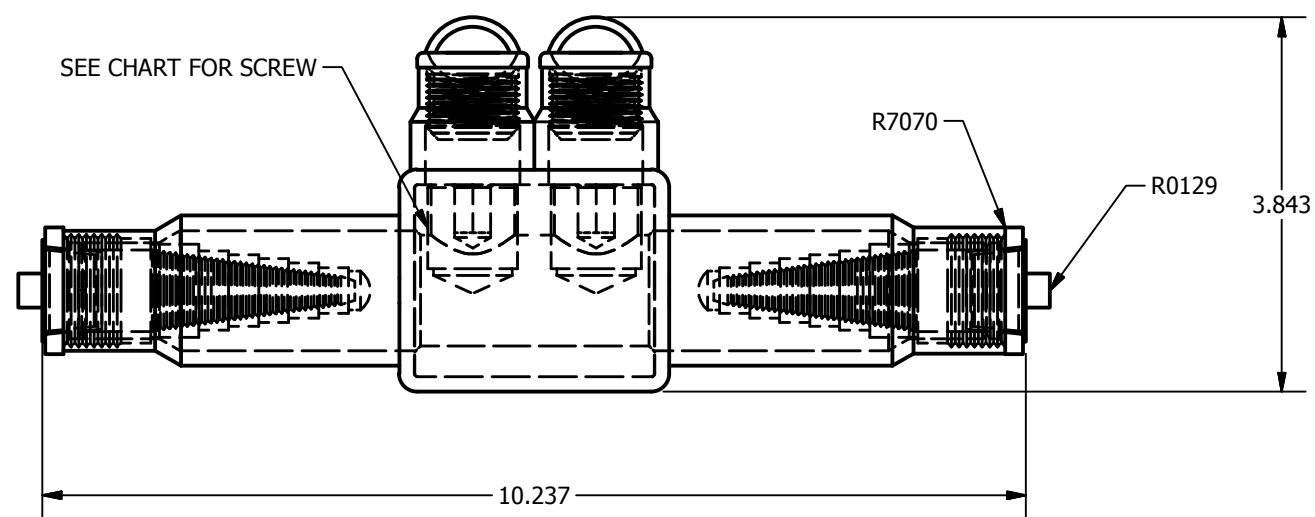
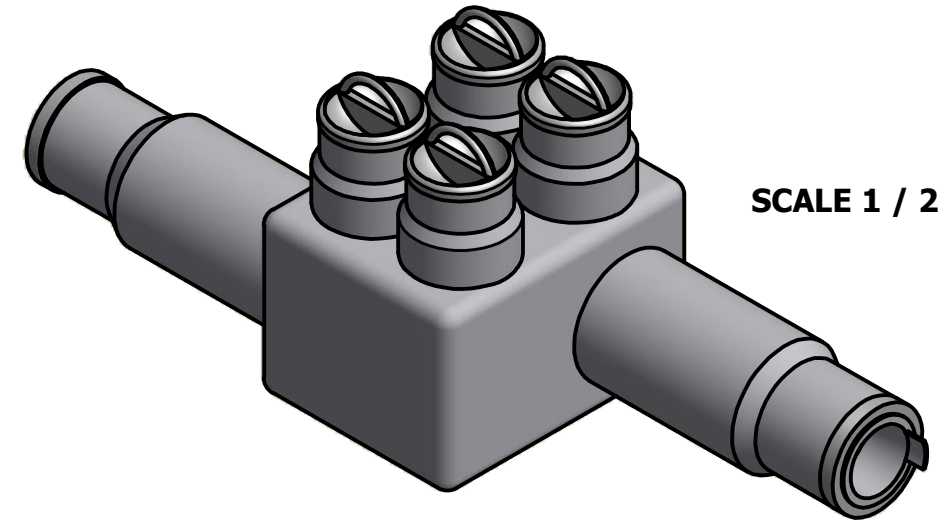
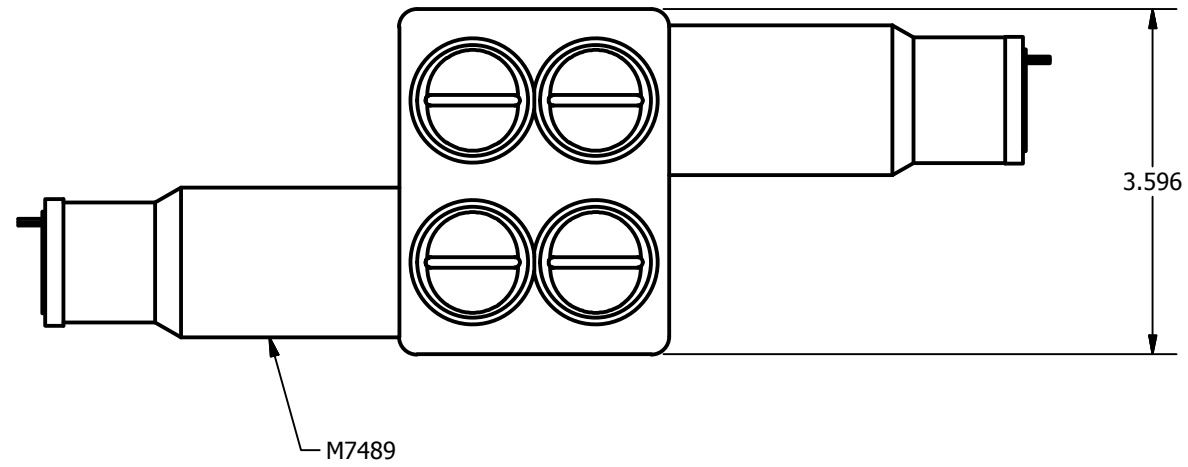
SCREW: SEE CHART
 CAT. NO.: SEE CHART
 INFORMATION SHEET: FORM 122

MATERIAL: NONE
 PLATING: NONE
 MARKING: NONE

REV: J
 DRAWN BY: CLH
 DATE: 9/17/2008
 SCALE: 3:1
 SIZE: B

ILSCO
 connections
 matter
 800-776-9775 www.ilSCO.com

DWG NO: **M7489**
 SHEET: 1 OF 1



CAT. NO.	SCREW
USPA-750SS-DB	E6134
USPA-750SSD	E6128
USPA-750SS	E6134
USPA-750SSP	E6134
USPA-750SSDNMP	E6128
USPA-750DP	E6128