

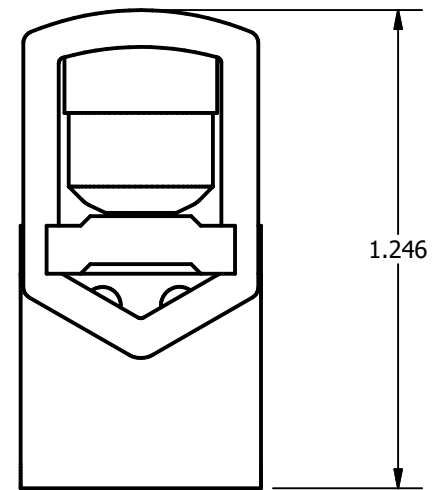
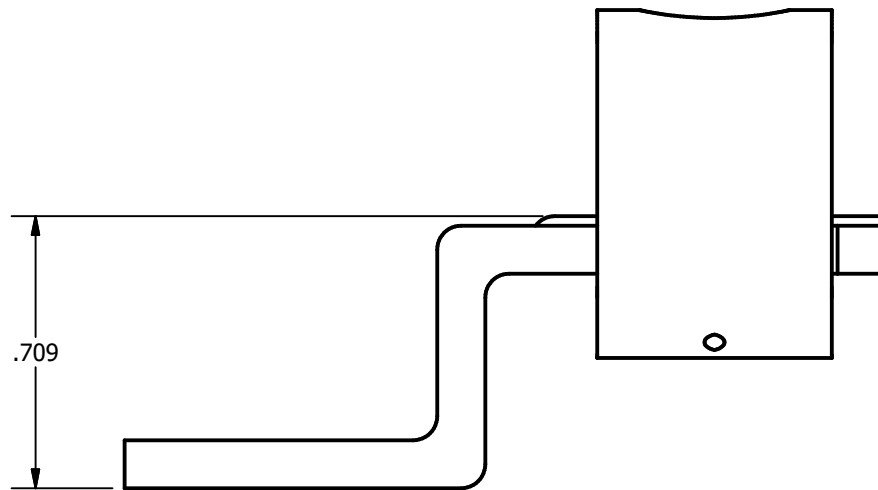
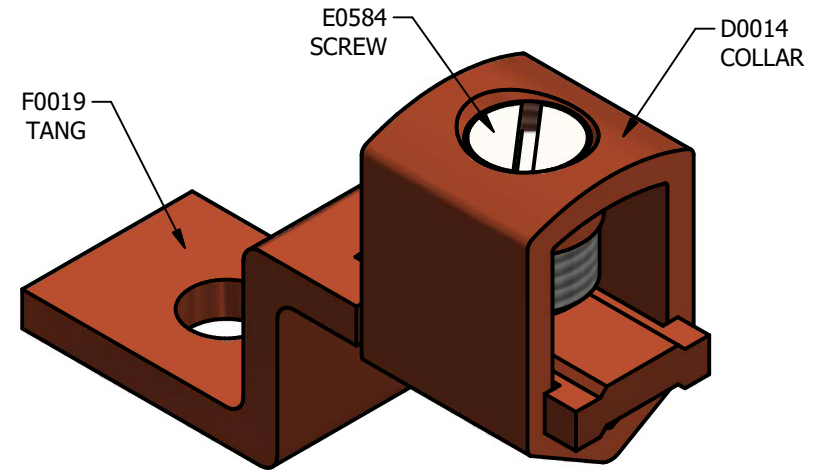
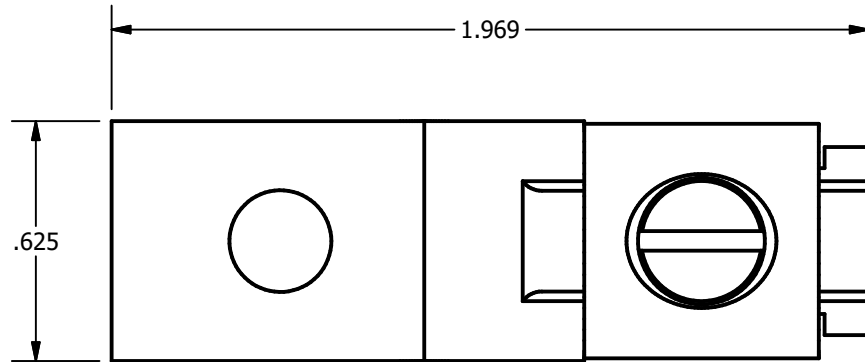


SCREW: E0584	MATERIAL: NONE	REV: B	ILSCO connections matter	
CAT. NO.: SEE CHART	PLATING: NONE	DRAWN BY: CLH	SCALE: 2.5 : 1	800-776-9775 www.ilsco.com
INFORMATION SHEET: SEE CHART	MARKING: TANG: SLU-125   COLLAR: ILSCO, 1/0-6CU	DATE: 12/21/11	SIZE: A	DWG. NO. M7595-00
				SHEET: 1 OF 1



CAT #	FORM
SLU-125	FORM 1
GBSLU-125	N/A