

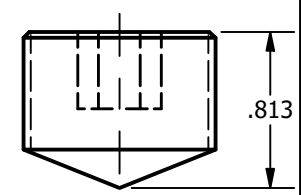
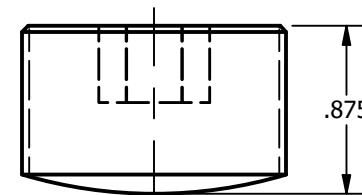
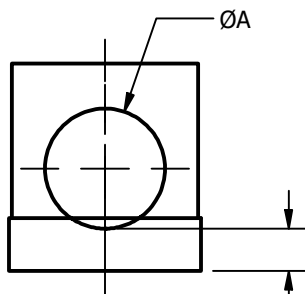
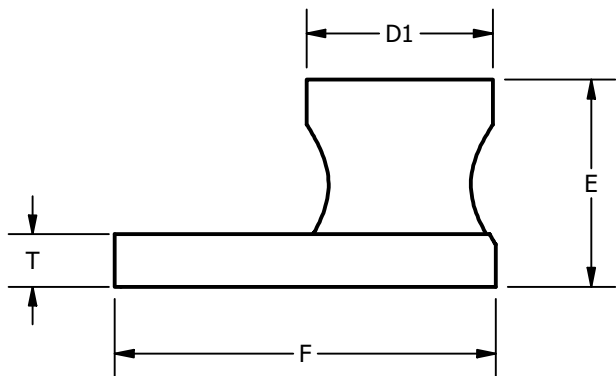
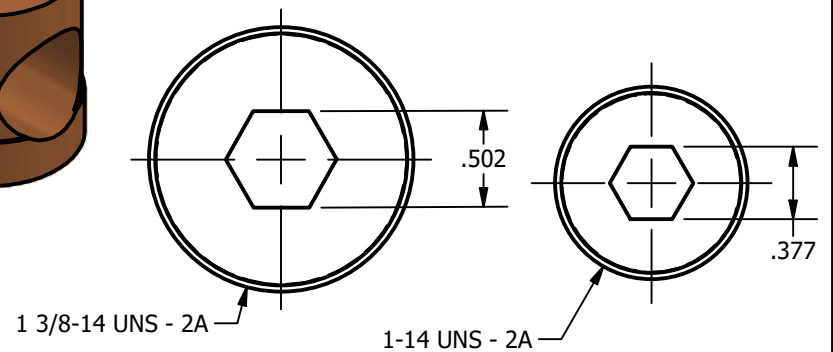
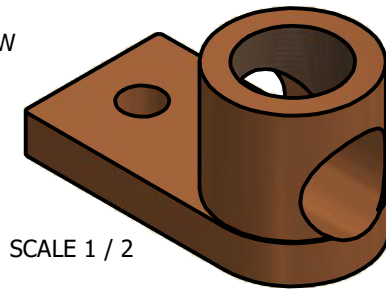
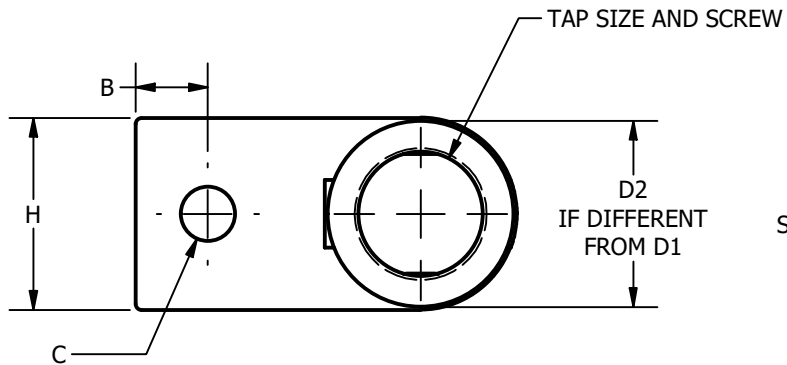
SCREW: SEE CHART
 CAT. NO.: SEE CHART
 INFORMATION SHEET: FORM 2

MATERIAL: COPPER
 PLATING: BRIGHT DIP
 MARKING: SEE CHART

REV: H
 DRAWN BY: CLH
 DATE: 8/4/2008

SCALE: 1/2
 SIZE: A

ILSCO
connections matter
 800-776-9775 www.ilsco.com
 DWG. NO. **R0789-R0790**
 SHEET: 1 OF 1



CAT #	A	B	C	D1	E	F	G	H	J	T	TAP AND SCREW	VENDOR PART #	D2 REF	MARKING
CP-500	.875	.625	.563	1.219	1.469	3.000	.156	1.406	.528	.281	1-14 FIG B	L-400	----	Ⓢ 2/0-500, CU, CP-500 Ⓢ
CP-1000	1.250	.750	.563	1.938	2.156	3.968	.438	2.000	.814	.547	1 3/8-14 FIG A	L-650	1.766	Ⓢ 500-1000, CP-1000 Ⓢ