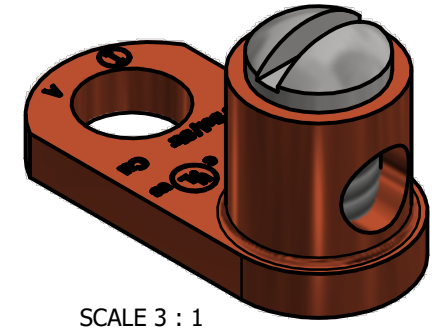
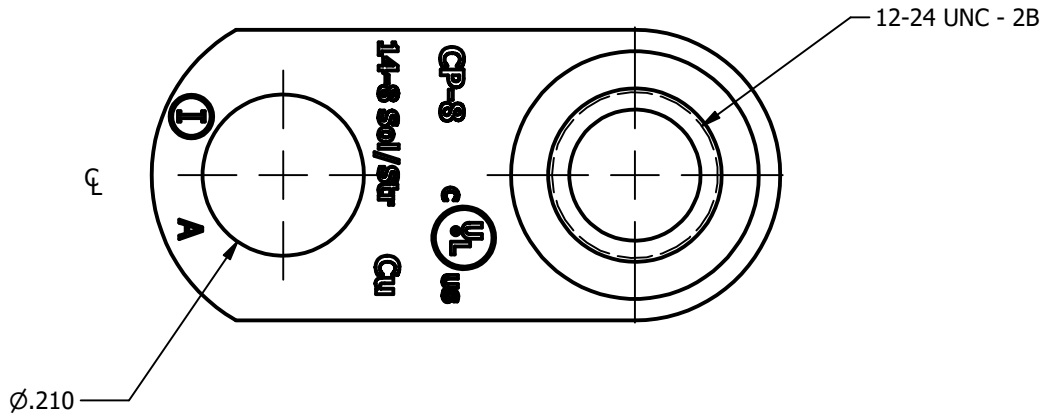
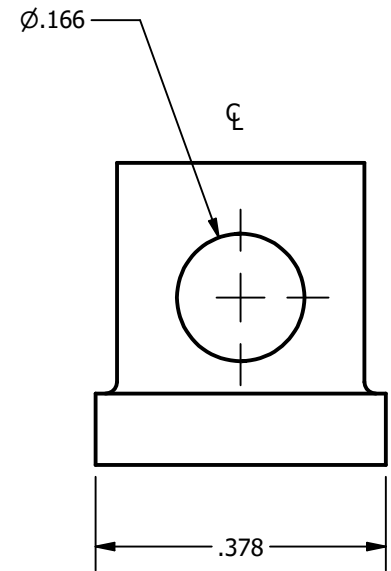
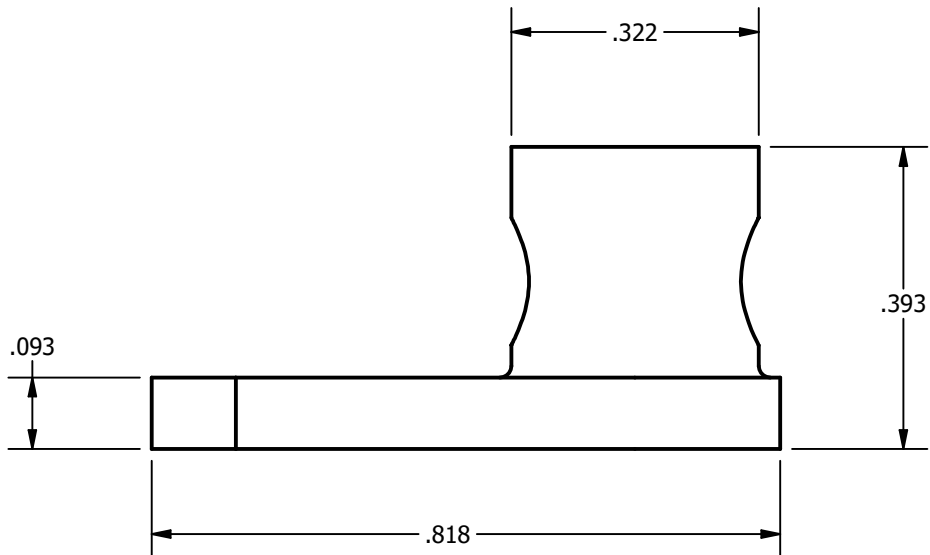


SCREW: NONE	MATERIAL: COPPER	REV: F
END ITEM: SEE CHART	PLATING: BRIGHT DIP	DRAWN BY: JG SCALE: 4:1
INFORMATION SHEET: FORM 2	MARKING: SEE BELOW	DATE: 5/13/2015 SIZE: A

**ECM INDUSTRIES**  
 GB ILSCO KING BERGEN  
 800-776-9775 www.ilsco.com  
 DWG. NO. **R2573**  
 SHEET: 1 OF 1



SCALE 3 : 1



END ITEM
CP-8
CP-8-B2
CP-8-EC
GCP-8
STL-50
CC-CP-8

THIS PRINT AND INFORMATION THEREIN IS CONFIDENTIAL AND PROPRIETARY AND IS THE PROPERTY OF ECM INDUSTRIES. IT IS NOT TO BE COPIED OR REPRODUCED WITHOUT WRITTEN PERMISSION FROM ECM INDUSTRIES.