




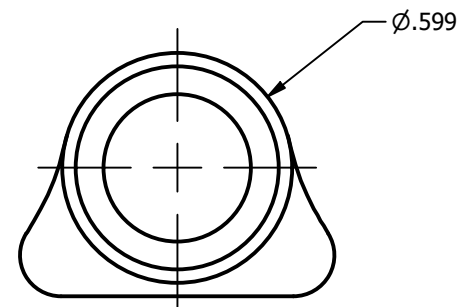
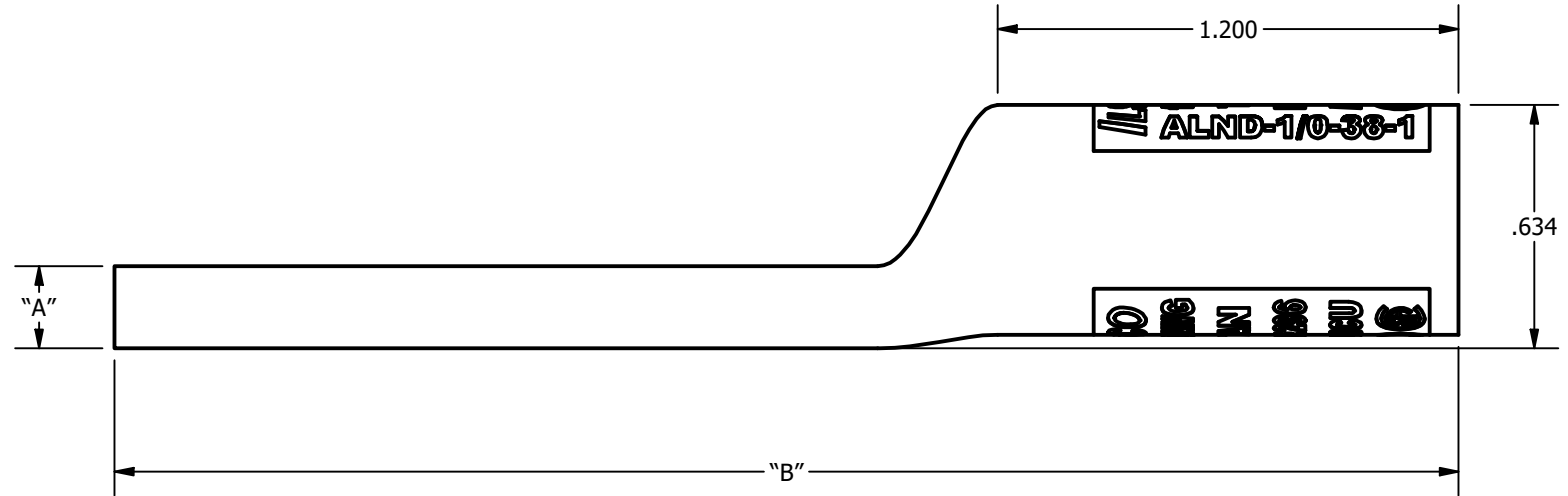
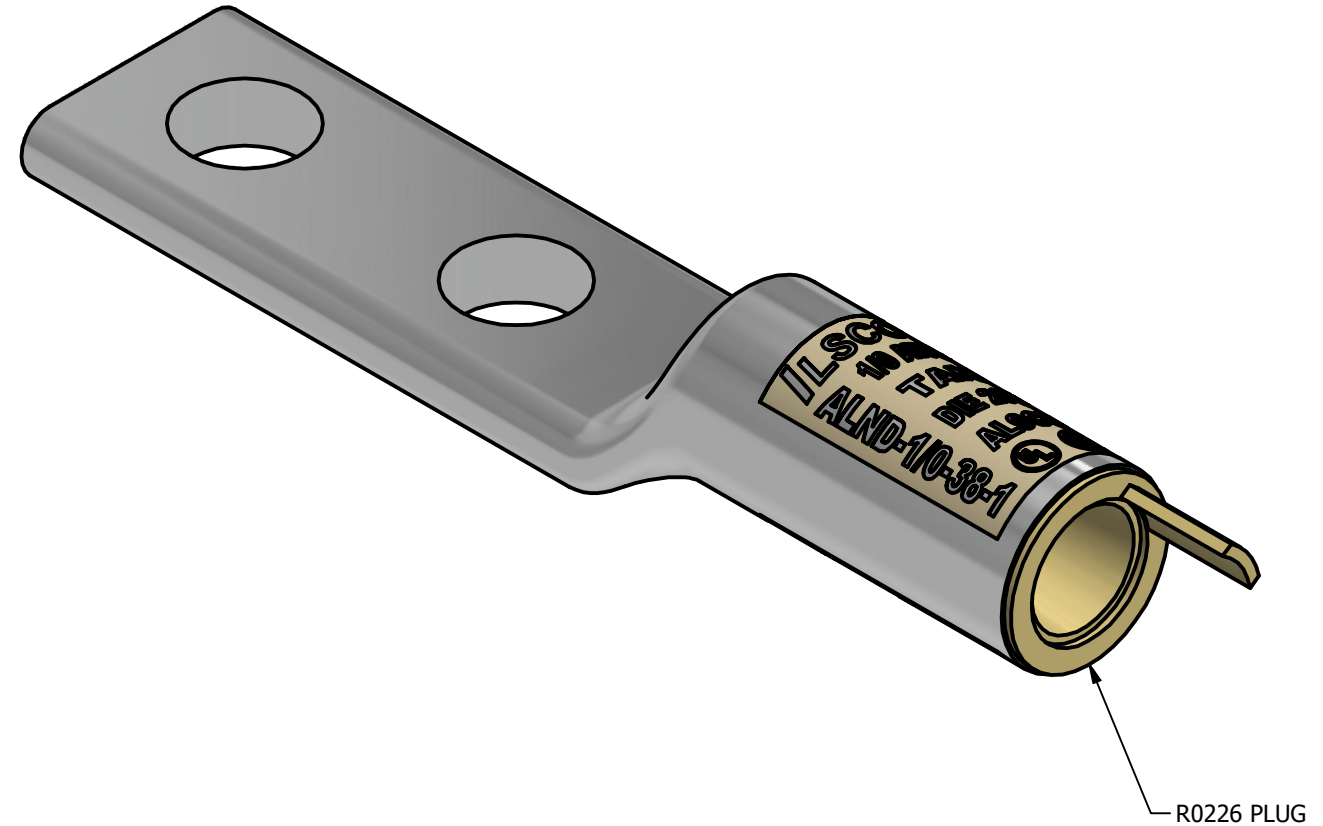
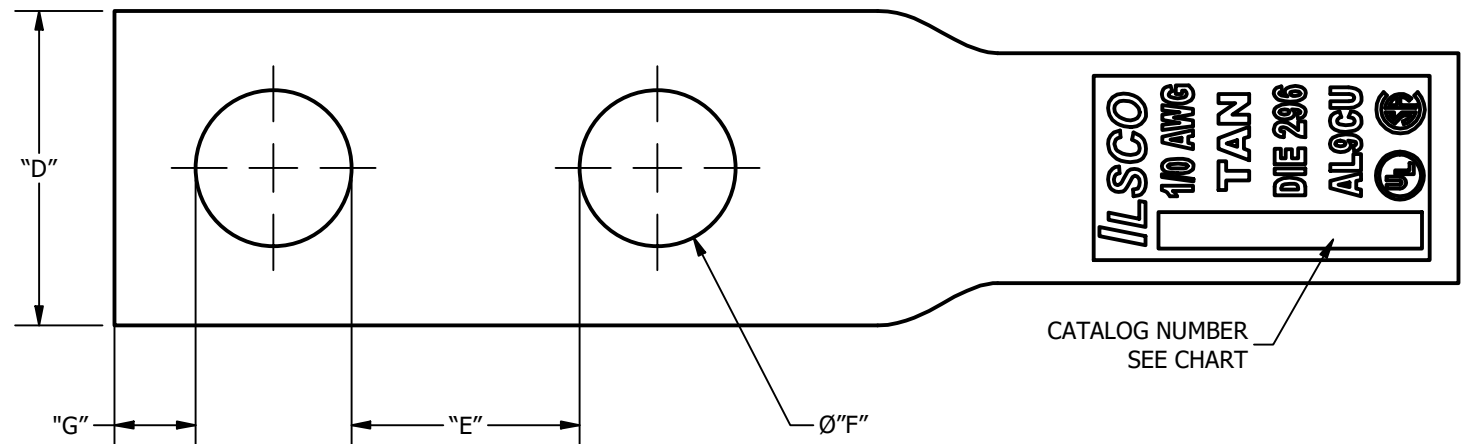


SCREW: NONE	MATERIAL: ALUMINUM	REV: N	     800-776-9775 www.ilSCO.com
CAT. NO.: SEE CHART	PLATING: EL-TIN	DRAWN BY: NWV SCALE: NTS	
INFORMATION SHEET: FORM 196	MARKING: NO TANG MARKING	DATE: 5/30/2013 SIZE: B	

DWG NO: YA0703, YAN0703 Double
SHEET: 1 OF 1



CATALOG NUMBER	"A"	"B"	"D"	"E"	"F"	"G"
ALND-1/0-14-1	0.214	3.230	.819	.719	0.281	.180
ALNN-1/0-14-1	.230	3.250	.569	.719	0.281	.180
ALND-1/0-38-1	0.214	3.500	.819	.594	0.406	.211
ALND-1/0-38-134	0.214	4.185	.819	1.344	0.406	.211
ALND-1/0-12-1	0.214	3.700	.819	.438	0.562	.265
ALND-1/0-12-134	0.214	4.560	.819	1.188	0.562	.265

THIS PRINT AND INFORMATION THEREIN IS CONFIDENTIAL AND PROPRIETARY AND IS THE PROPERTY OF ECM INDUSTRIES. IT IS NOT TO BE COPIED OR REPRODUCED WITHOUT WRITTEN PERMISSION FROM ECM INDUSTRIES.