
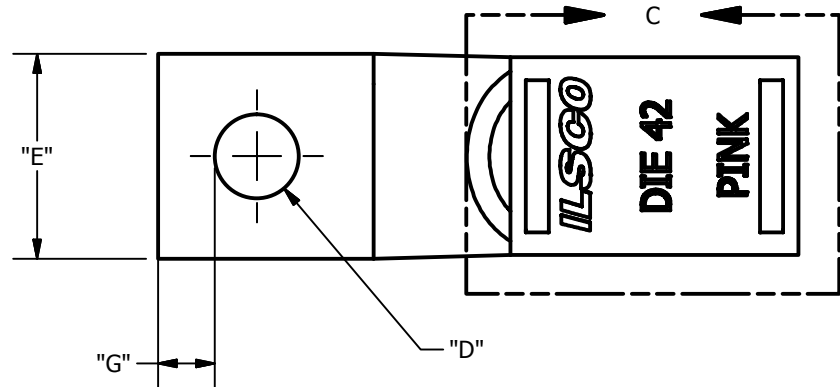
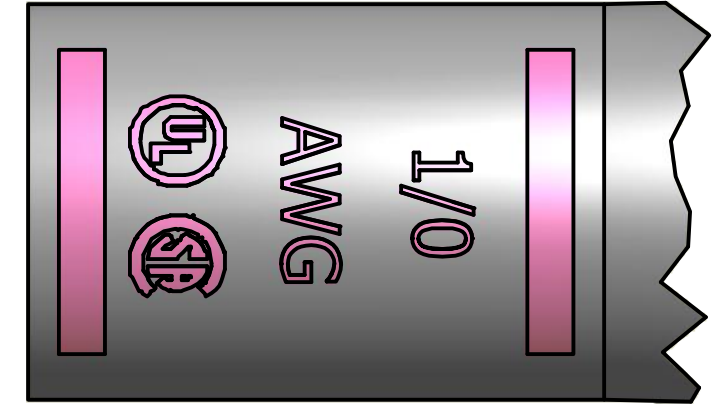


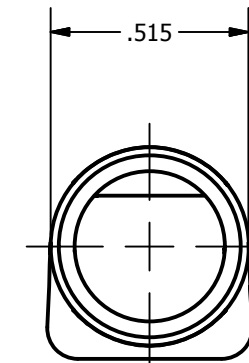
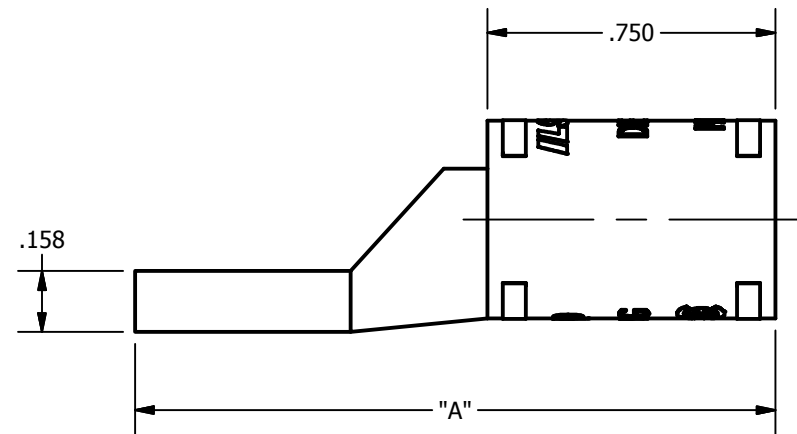
SCREW: NONE	MATERIAL: COPPER	REV: L	 800-776-9775 www.ilSCO.com
CAT. NO.: SEE CHART	PLATING: EL-TIN	DRAWN BY:DW SCALE: NTS	
INFORMATION SHEET:FORM 157	MARKING: SEE CHART	DATE:5/12/2008 SIZE: B	
			DWG NO: YN0711-S
			SHEET: 1 OF 1



DETAIL C  
TOP VIEW  
COLOR: PINK



DETAIL D  
BOTTOM VIEW  
COLOR: PINK



CATALOG NUMBER	"A"	"D"	"E"	"G"	TANG MARKING
CSWN-1/0-10	1.668	0.219	0.500	0.148	ILSCO, C-1/0-10, 1/0 AWG, 1 FLEX, UL, CSA
CSWN-1/0-14	1.981	0.281	0.500	0.180	ILSCO, C-1/0-14, 1/0 AWG, 1 FLEX, DIE 42, UL, CSA
CSWN-1/0-516	1.981	0.343	0.500	0.180	ILSCO, C-1/0-516, 1/0 AWG, 1 FLEX, DIE 42, UL, CSA